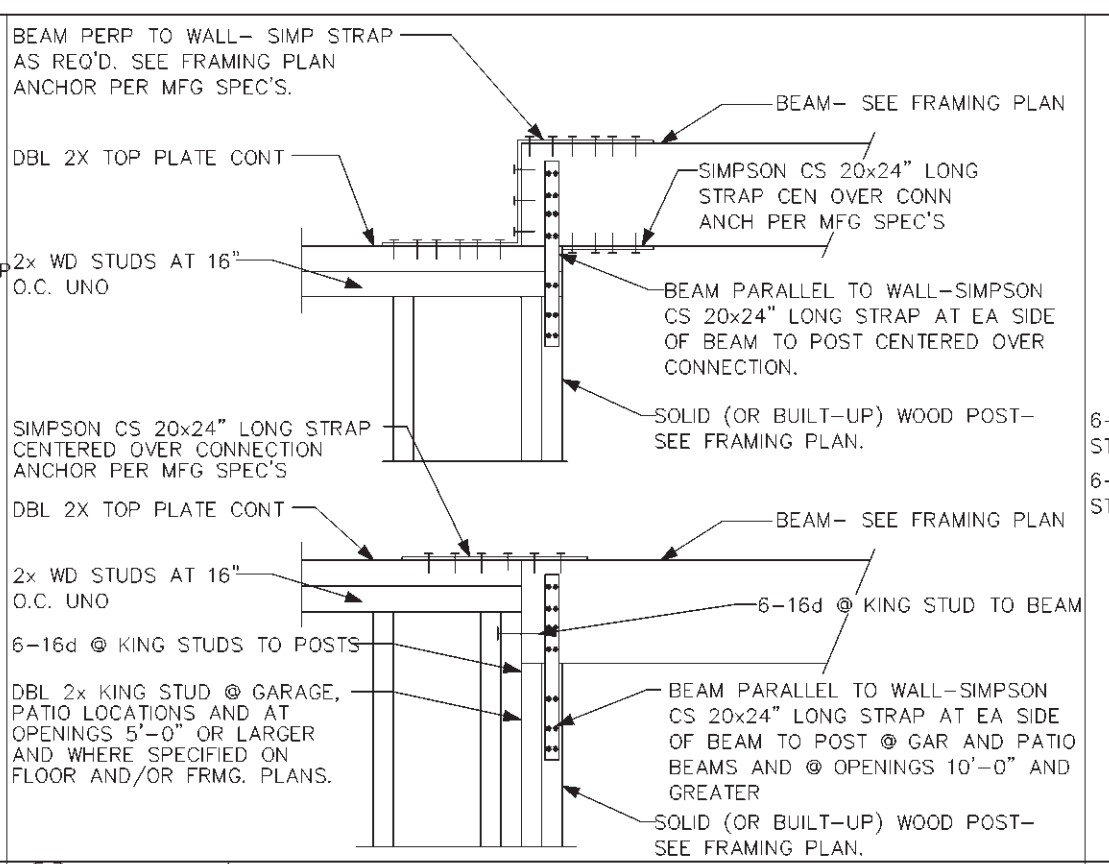
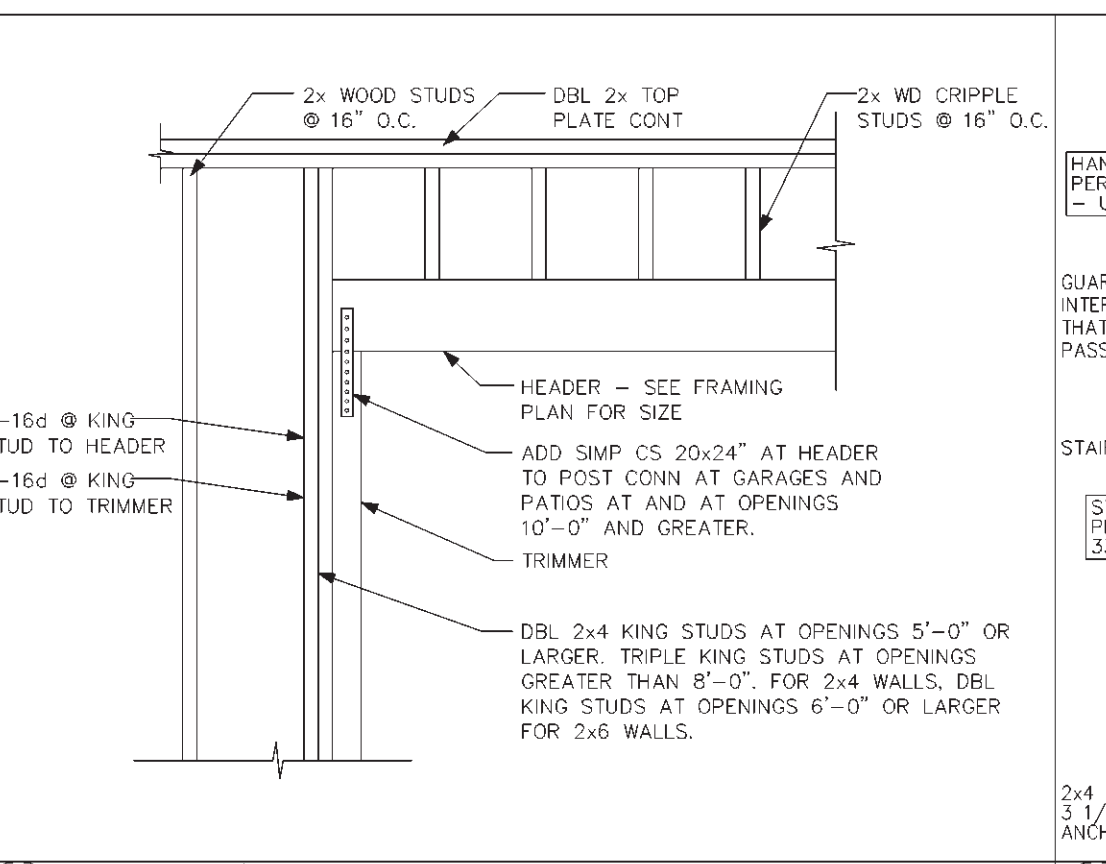


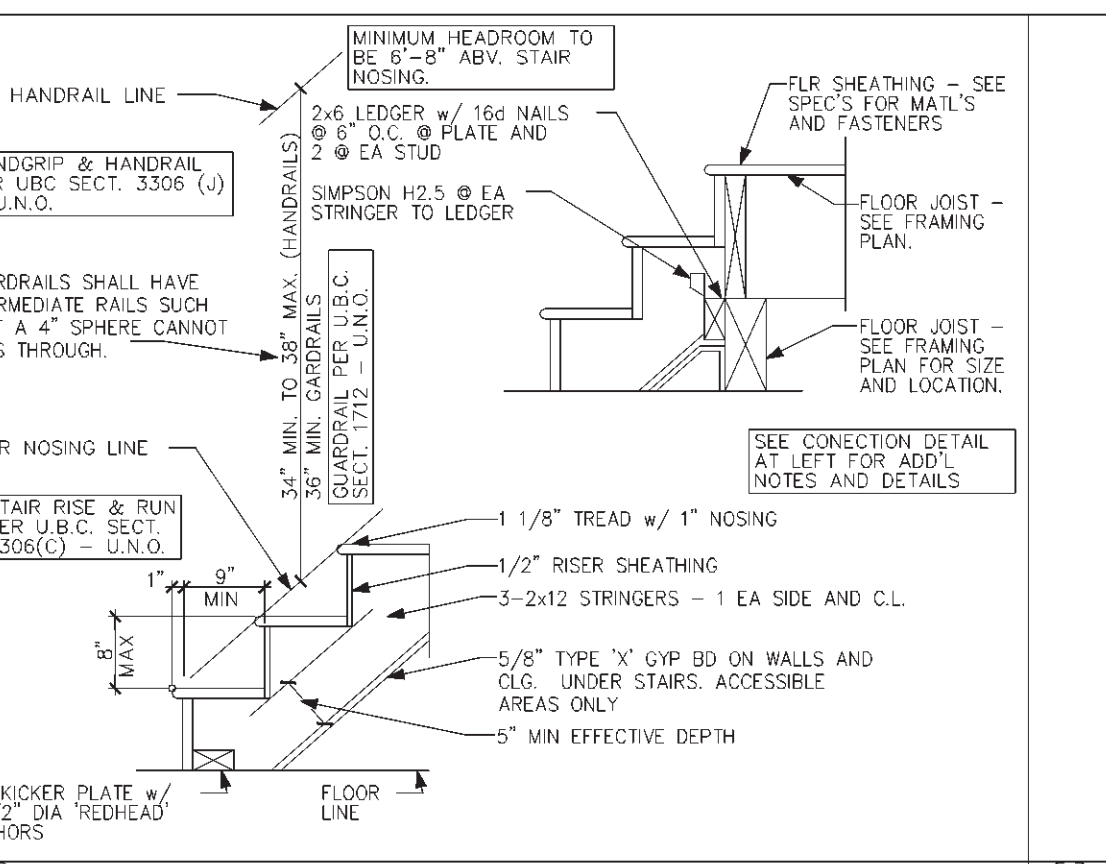
1 BEAM/POST CONNECTIONS



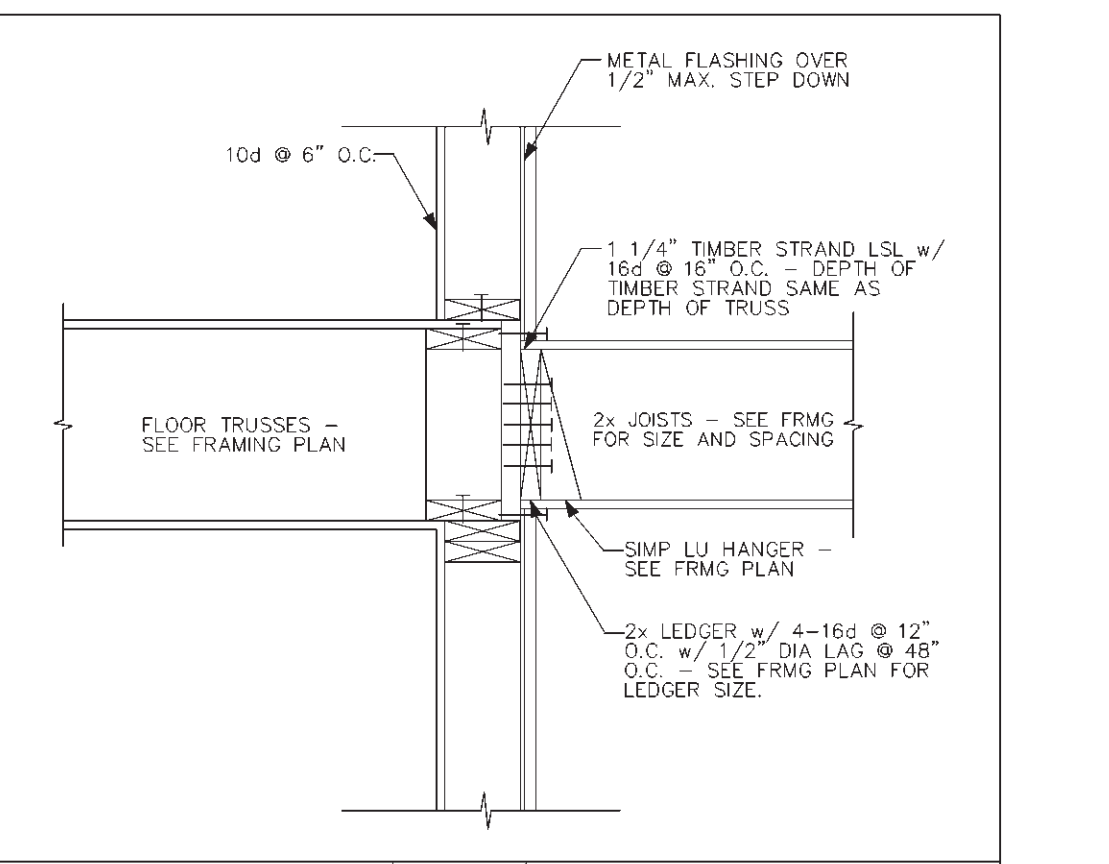
2 BEAM/WALL POST CONNECTIONS



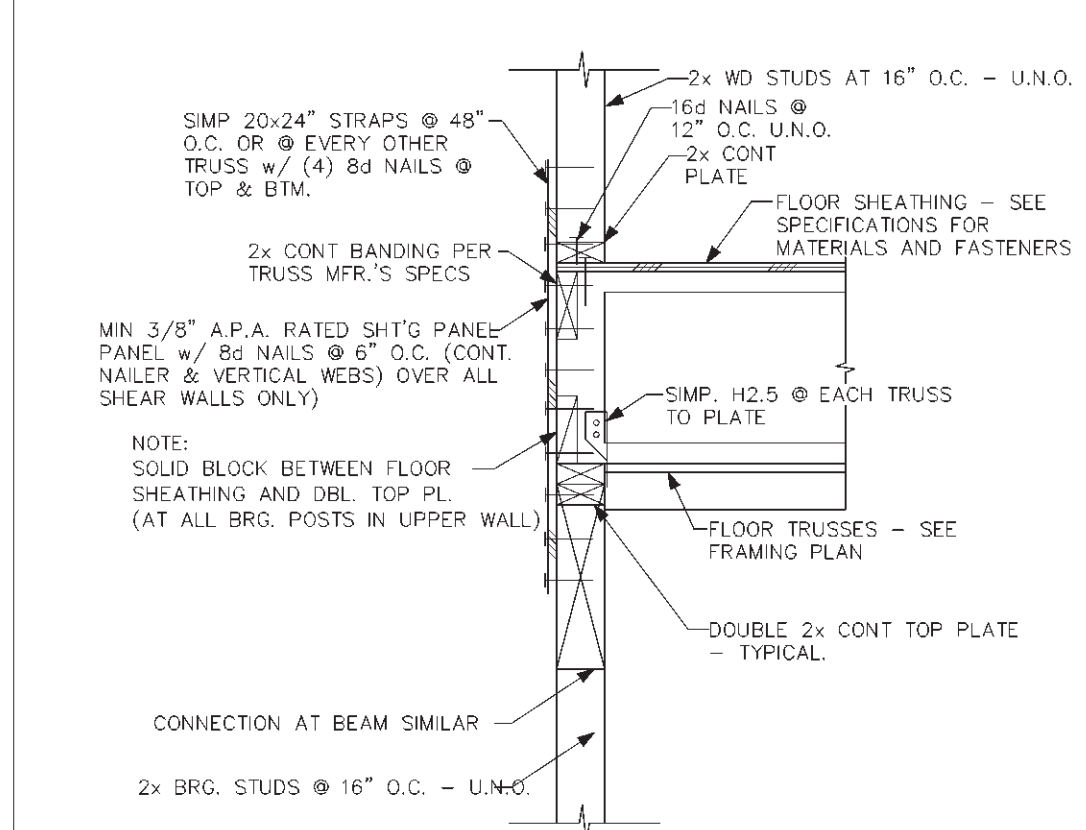
3 WINDOW/DOOR HEADER



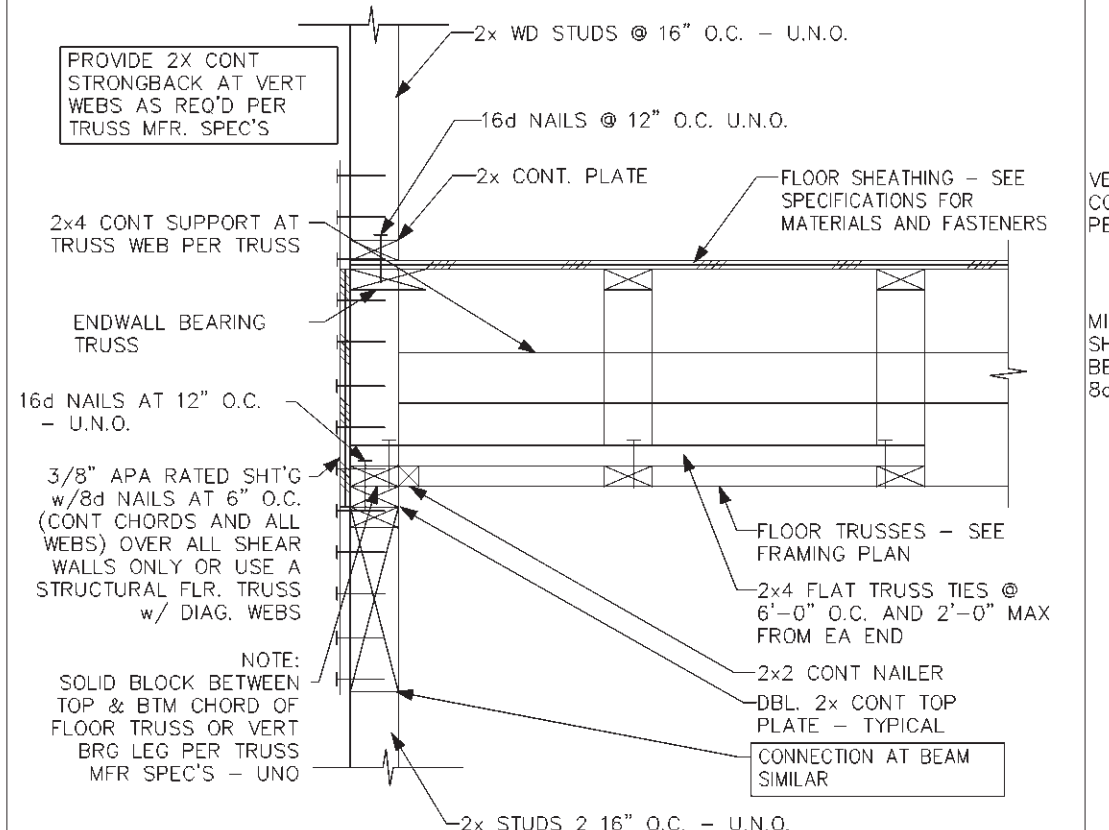
4 STAIR BOTTOM & TOP CONNECTIONS



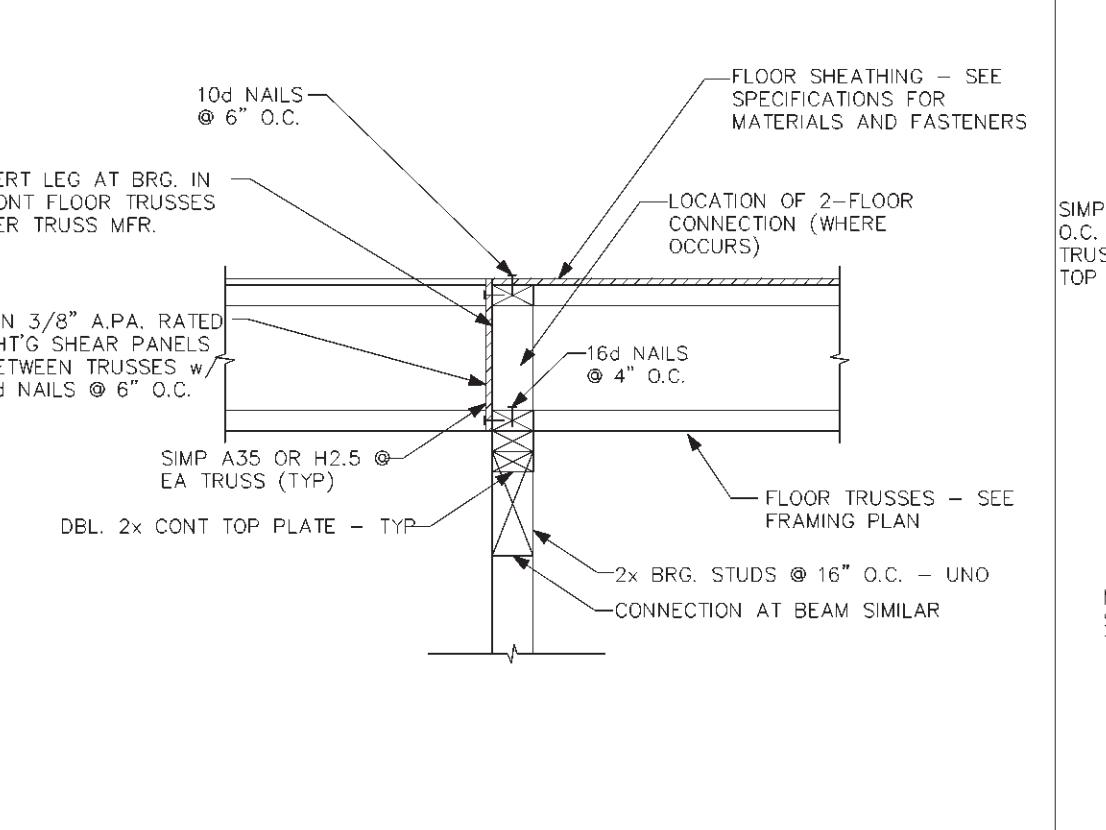
5 PARALLEL TRUSS/WALL/LEDGER



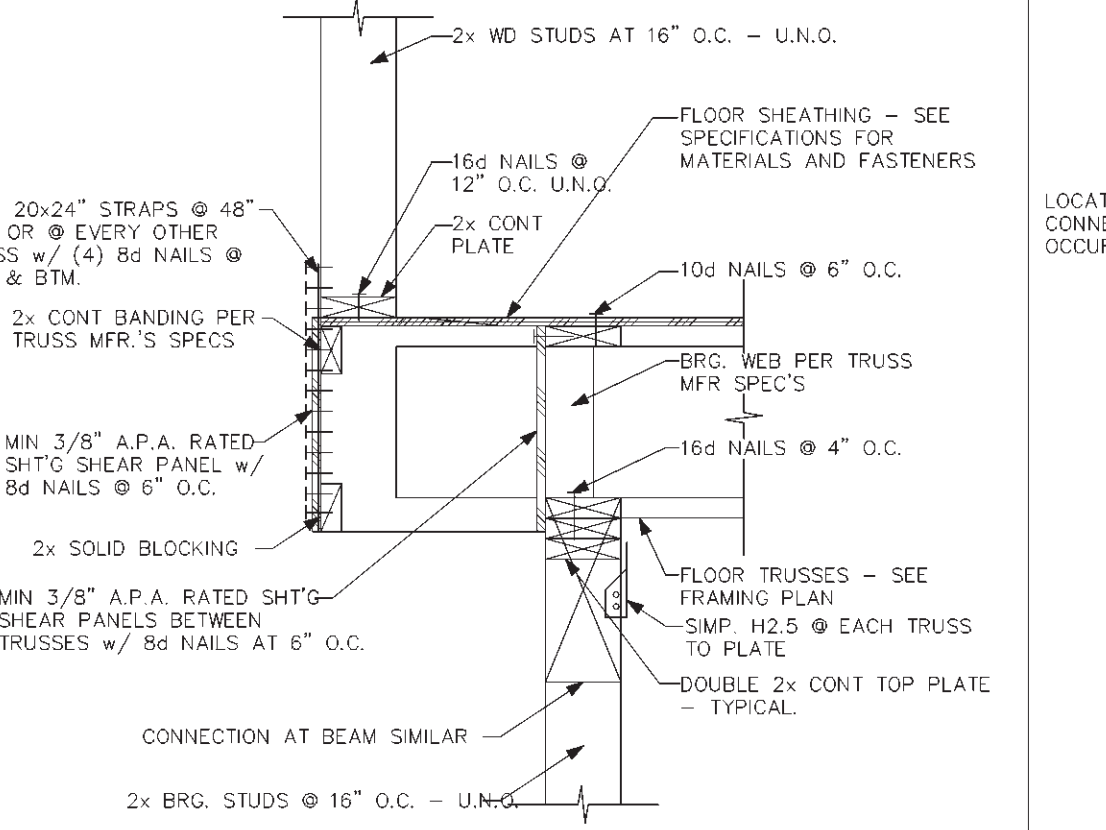
6 PERP FLOOR TRUSSES/WALL (BM. SIM.)



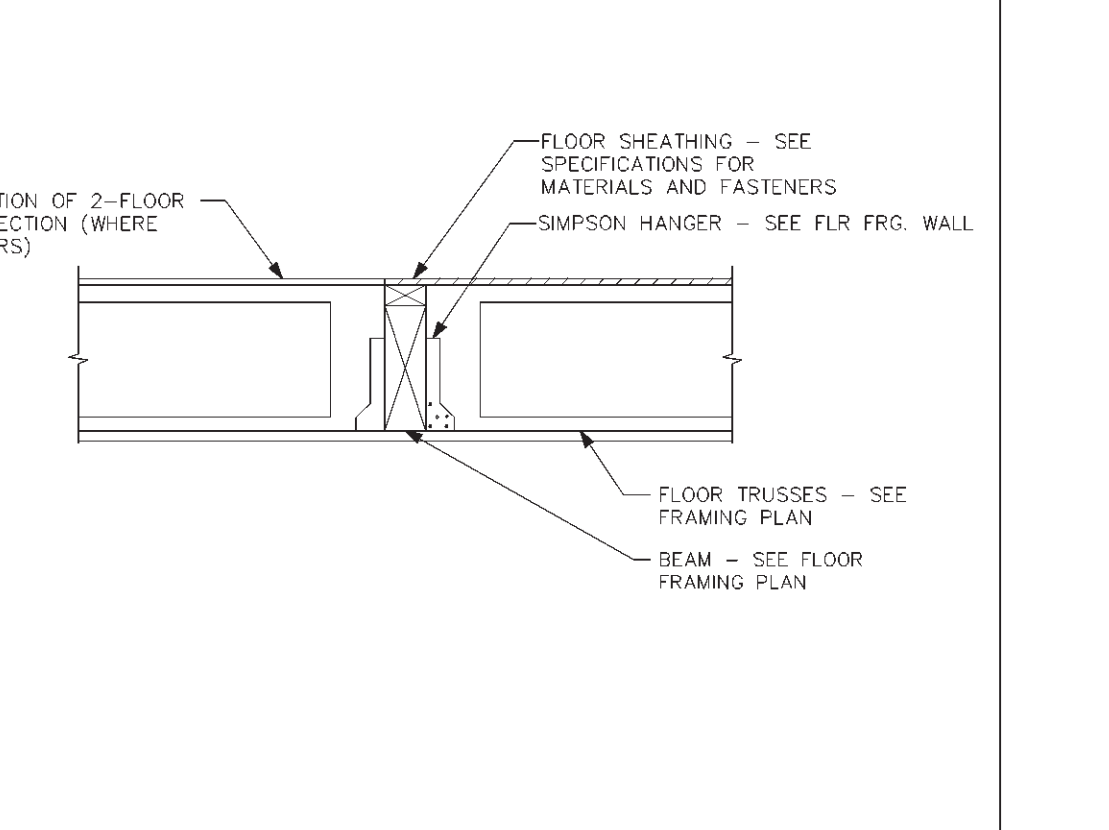
7 PAR. FLOOR TRUSSES/WALL (BM. SIM.)



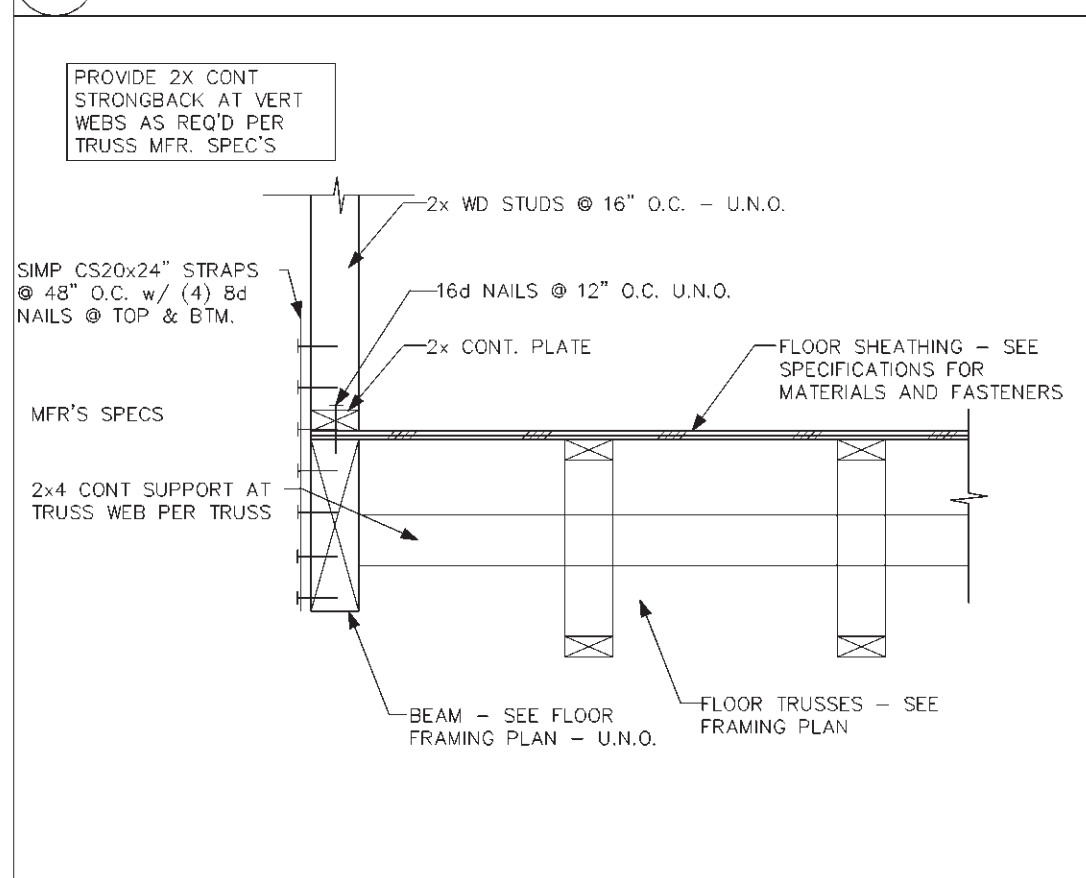
8 FLOOR TRUSSES/WALL (BM. SIM.)



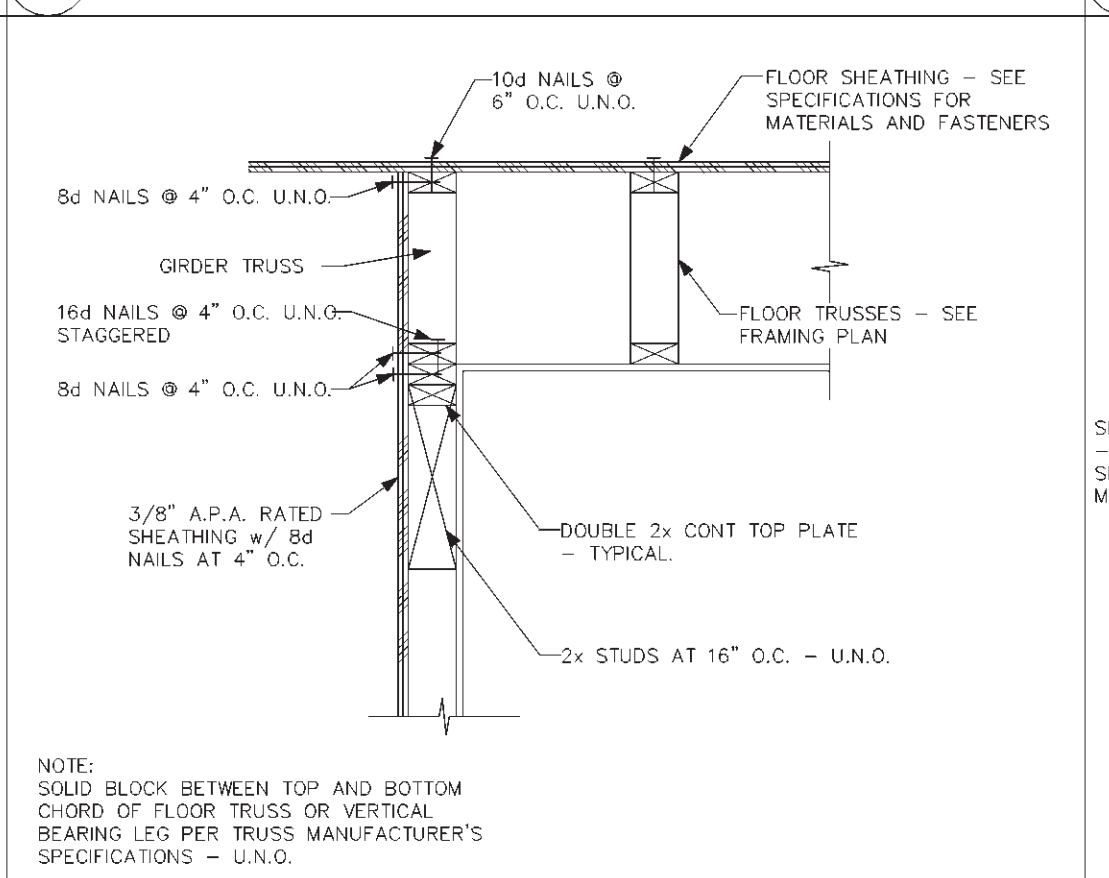
9 CANT. FLR. TRUSSES/WALL (BM. SIM.)



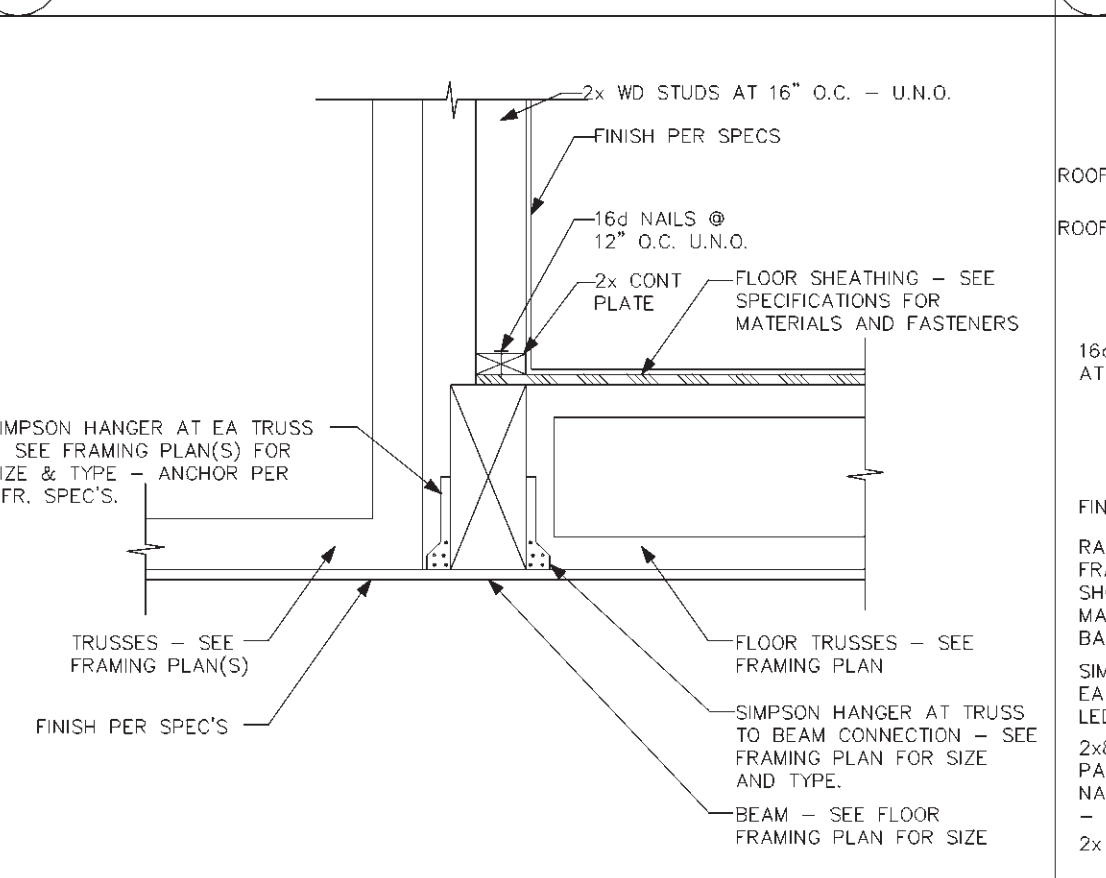
10 FLOOR TRUSSES/BEAM (HANGING)



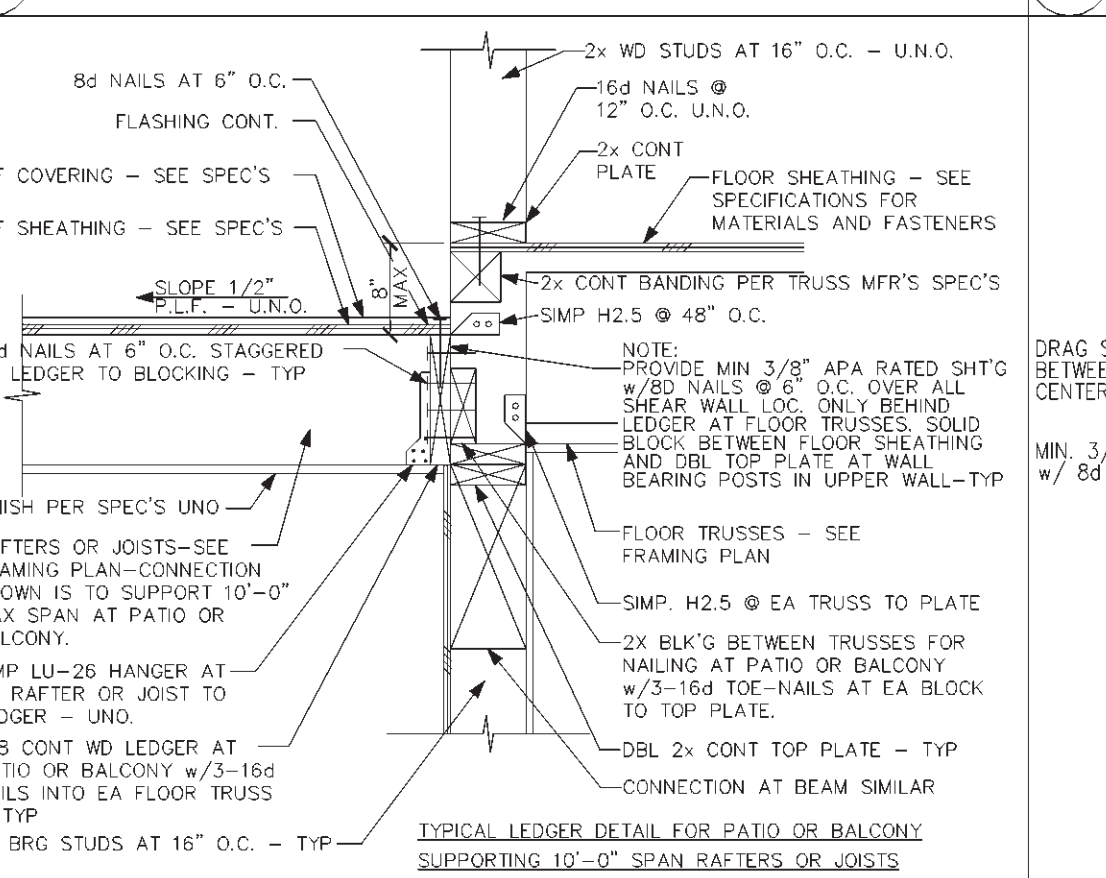
11 PARALLEL FLOOR TRUSSES/BEAM



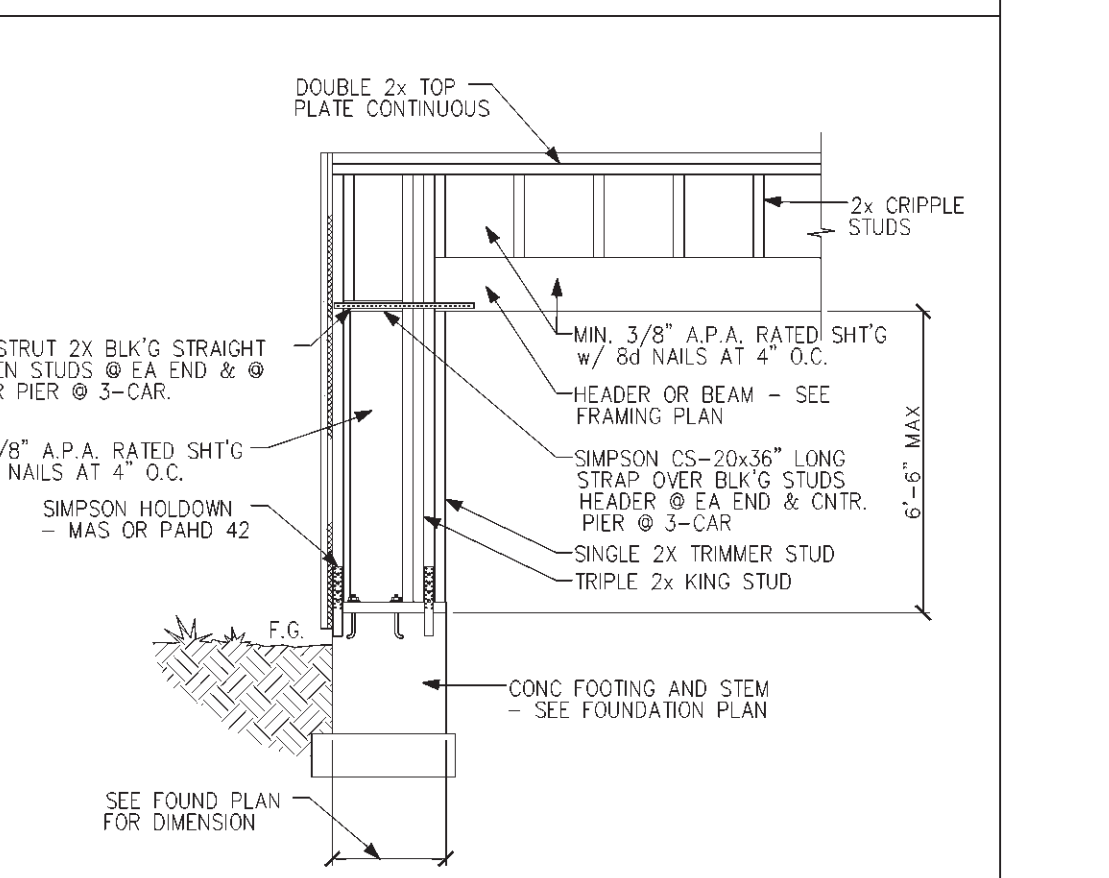
12 FLOOR/SHEAR WALL TRANSFER



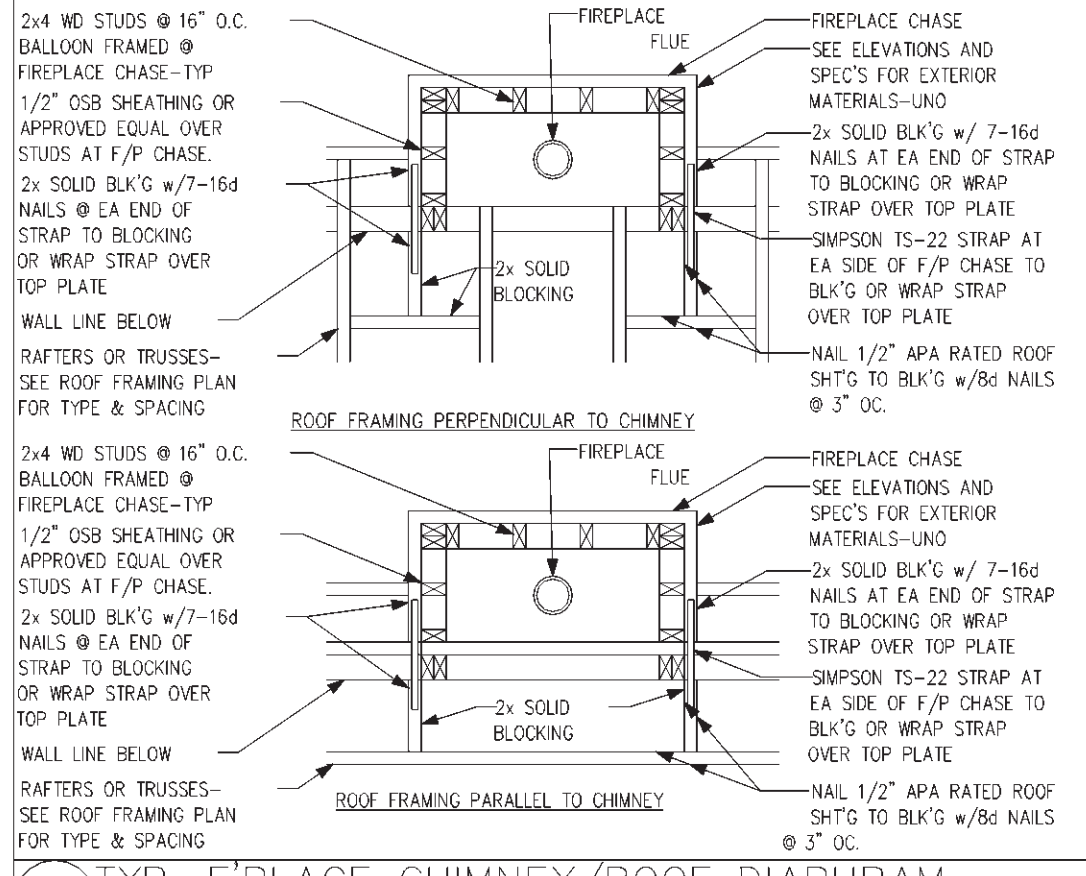
13 ROOF TRUSS/FLOOR TRUSSES/BEAM



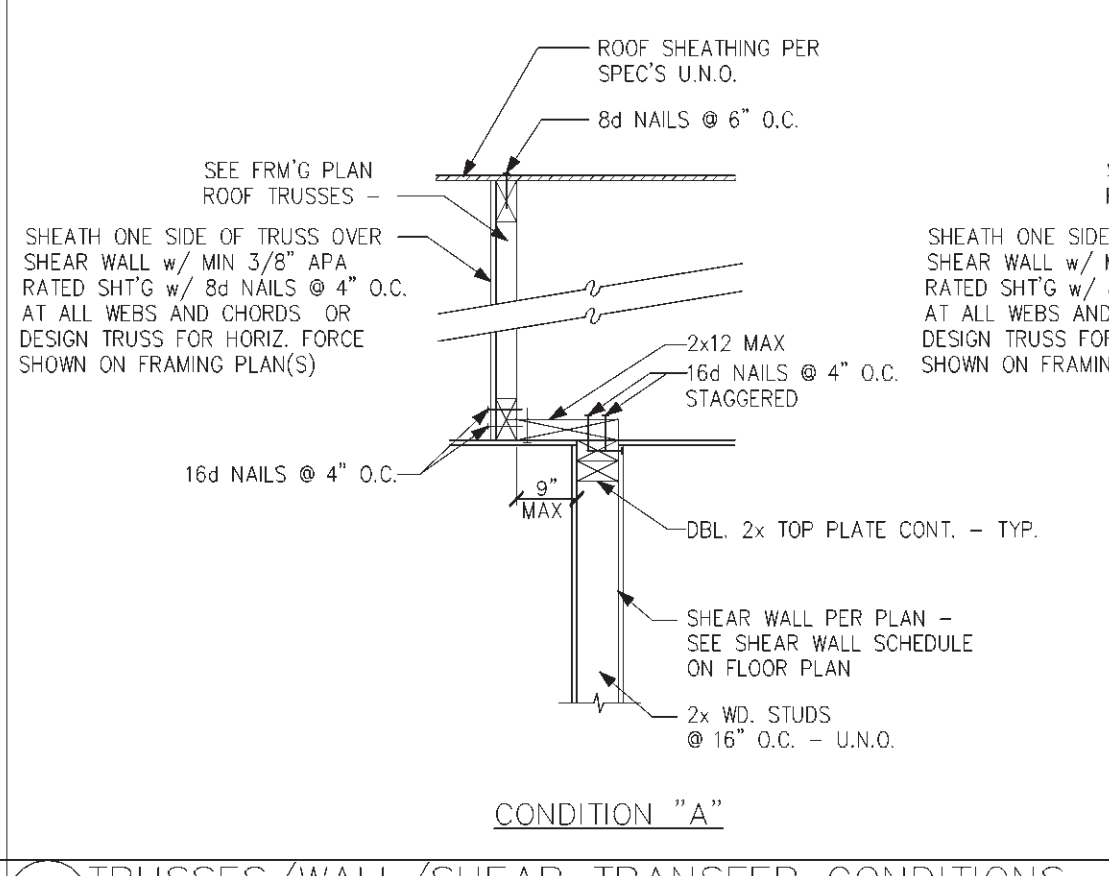
14 PERP TRUSSES/LEDG./RAFT OR JOISTS



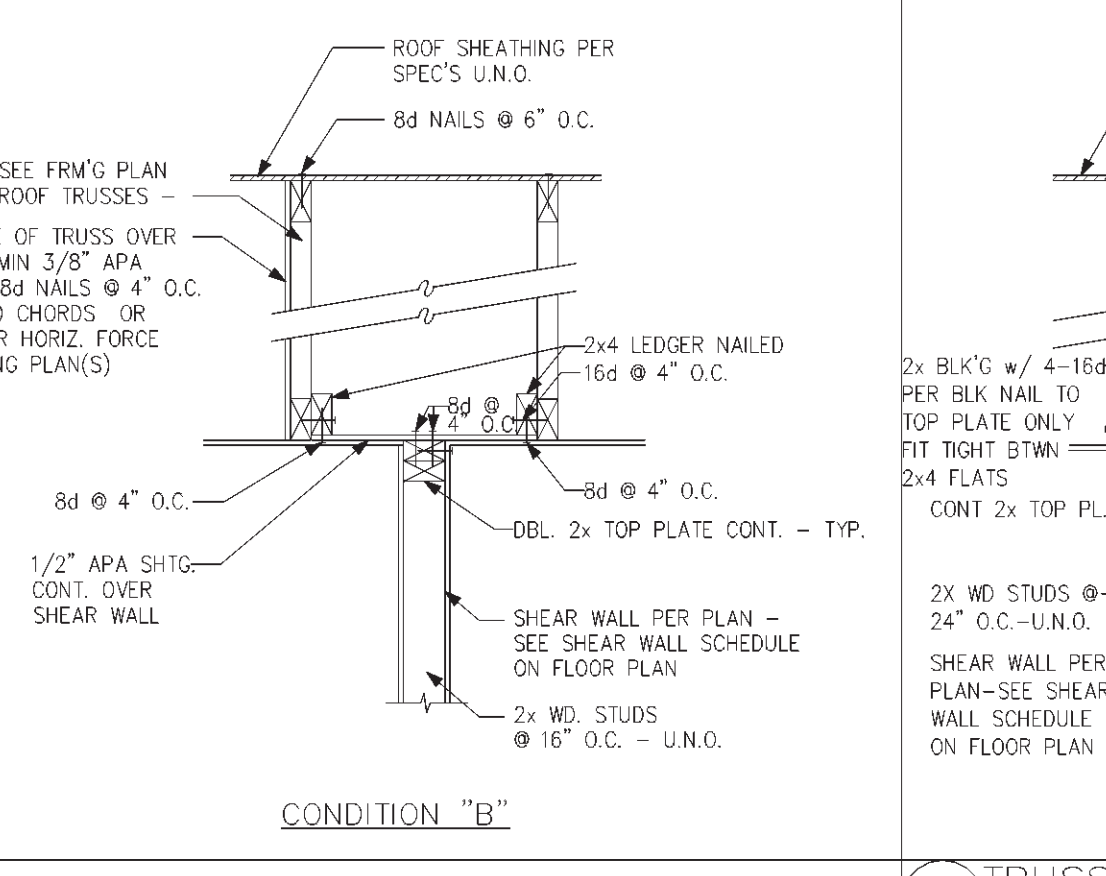
15 TYPICAL DRAG STRUT DETAIL



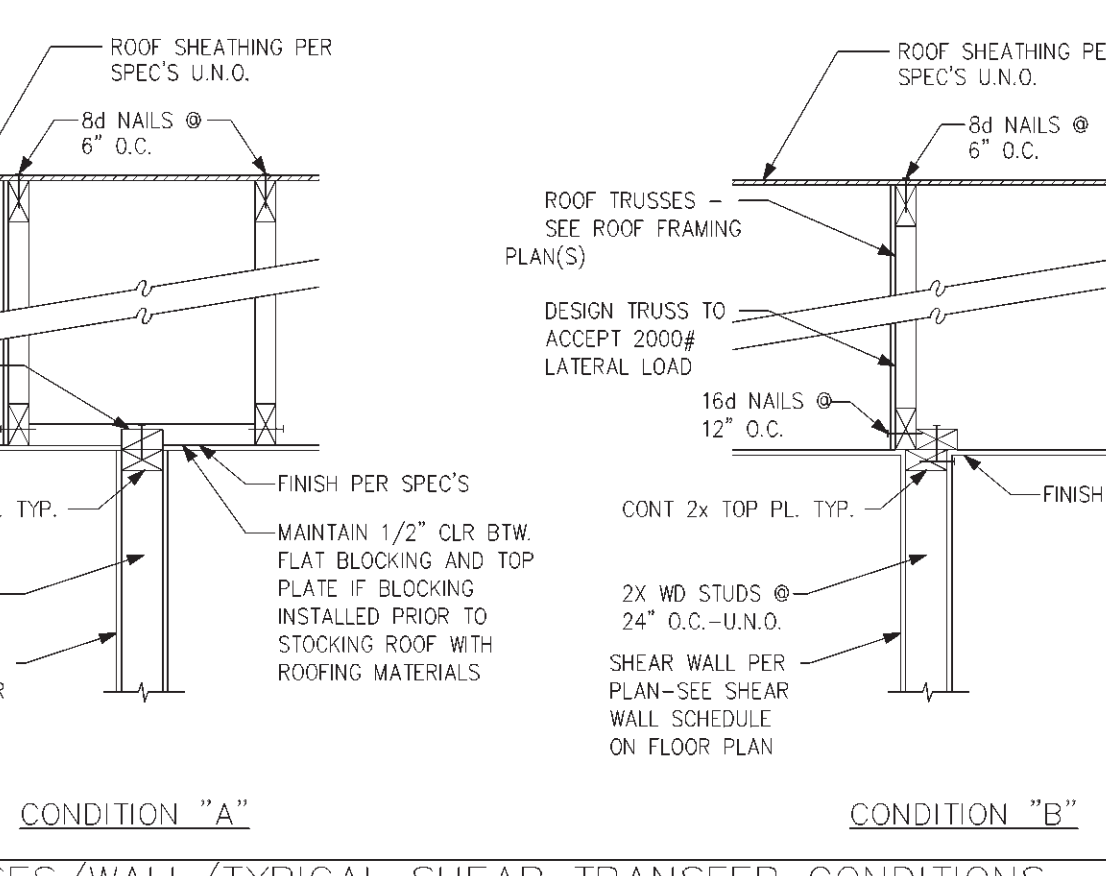
16 TYP. F'PLACE CHIMNEY/ROOF DIAPHRAM



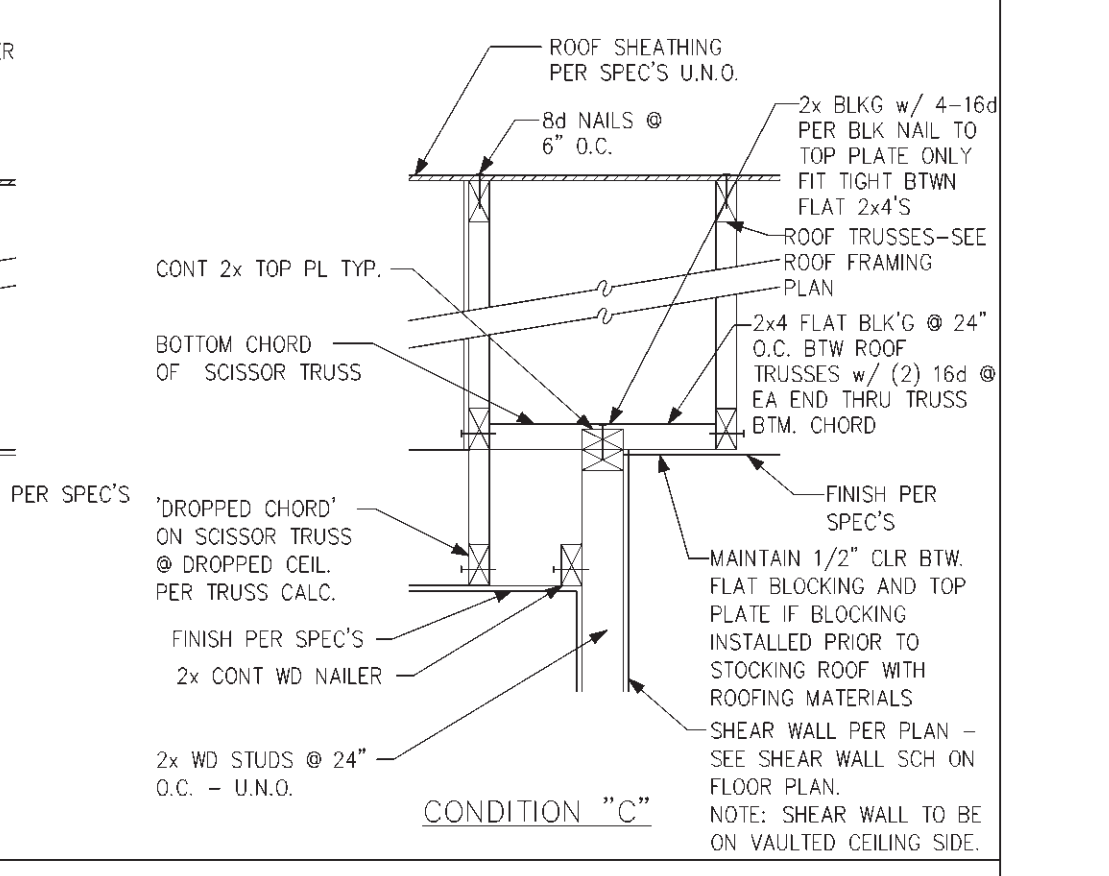
17 TRUSSES/WALL/SHEAR TRANSFER CONDITIONS



18 TRUSSES/WALL/TYPICAL SHEAR TRANSFER CONDITIONS



19 TRUSSES/WALL/TYPICAL SHEAR TRANSFER CONDITIONS



20 TRUSSES/WALL/TYPICAL SHEAR TRANSFER CONDITIONS

REPUBLIC HOMES, L.L.C.
 25 N. GILBERT RD., SUITE 104
 GILBERT, AZ 85234
 (480) 539-6485 FAX (480) 539-6485

The Tektone Company
 Architectural Drafting Services
 8221 E. Coraibell Cir., Mesa, AZ 85208
 PH. (602) 357-1858 FAX (602) 357-1858

GENERAL FRAMING DETAILS
 SHEET CONTENT:
 PROJECT NO.: RH99-0504
 DRAWN BY: S. PREUSS
 DATE: 16 SEP 99
 REVISIONS
 Rev. DATE:
 1
 2
 3
 4
 PLAN
 2102
 SHEET
 SD3