

PHOENIX OFFICE:  
19820 North 1st Street, Suite 210  
Phoenix, Arizona 85024  
(623) 869-0601 Telephone  
(623) 869-0609 Facsimile

CORPORATE OFFICE:  
555 Anton Boulevard, Suite 850  
Costa Mesa, California 92626  
(714) 915-1500 Telephone  
(714) 915-1555 Facsimile

E-Mail: webmail@borm.com  
www.borm.com

COPYRIGHT 2007, BORM ASSOCIATES, INC.  
ALL RIGHTS RESERVED

**NOTICE:**  
THESE DRAWINGS AND SPECIFICATIONS AND THE IDEAS, DESIGN, AND ARRANGEMENTS REPRESENTED THEREIN ARE AND SHALL REMAIN THE PROPERTY OF BORM ASSOCIATES INC. AND NO PART THEREOF SHALL BE COPIED, DISCLOSED TO OTHERS, OR USED IN CONNECTION WITH ANY OTHER WORK OR PROJECT OTHER THAN THE SPECIFIC PROJECT FOR WHICH THEY HAVE BEEN PREPARED AND DEVELOPED WITHOUT THE WRITTEN CONSENT OF BORM ASSOCIATES, INC. VISUAL CONTACT WITH THESE DRAWINGS OR SPECIFICATIONS SHALL CONSTITUTE CONCLUSIVE EVIDENCE OF THESE RESTRICTIONS.

WRITTEN DIMENSIONS ON THESE DRAWINGS SHALL HAVE PRECEDENCE OVER SCALED DIMENSIONS. CONTRACTORS SHALL VERIFY, AND BE RESPONSIBLE FOR ALL DIMENSIONS AND CONDITIONS ON THE JOB. THIS OFFICE MUST BE NOTIFIED OF VARIATIONS FROM THE DIMENSIONS AND CONDITIONS SHOWN BY THESE DRAWINGS.

**REFER TO SHEETS FOR ALL NOTES AND SPECIFICATIONS**  
**PROJECT:**  
**Broadway at San Marcos**

OWNER/DEVELOPER:  
**Liberty Homes**

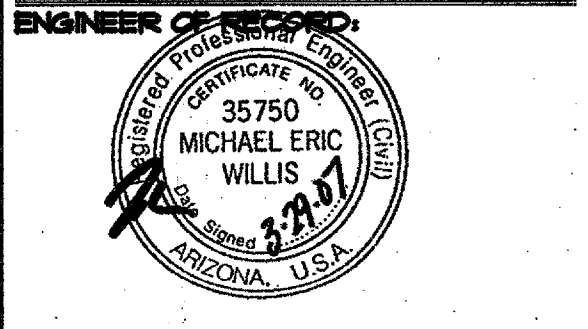
ARCHITECT/DESIGNER:  
**MDW Designs**

SHEET:  
**AZ-NV**

**STRUCTURAL ROOF TRUSS FRAMING DETAILS (1 thru 30)**

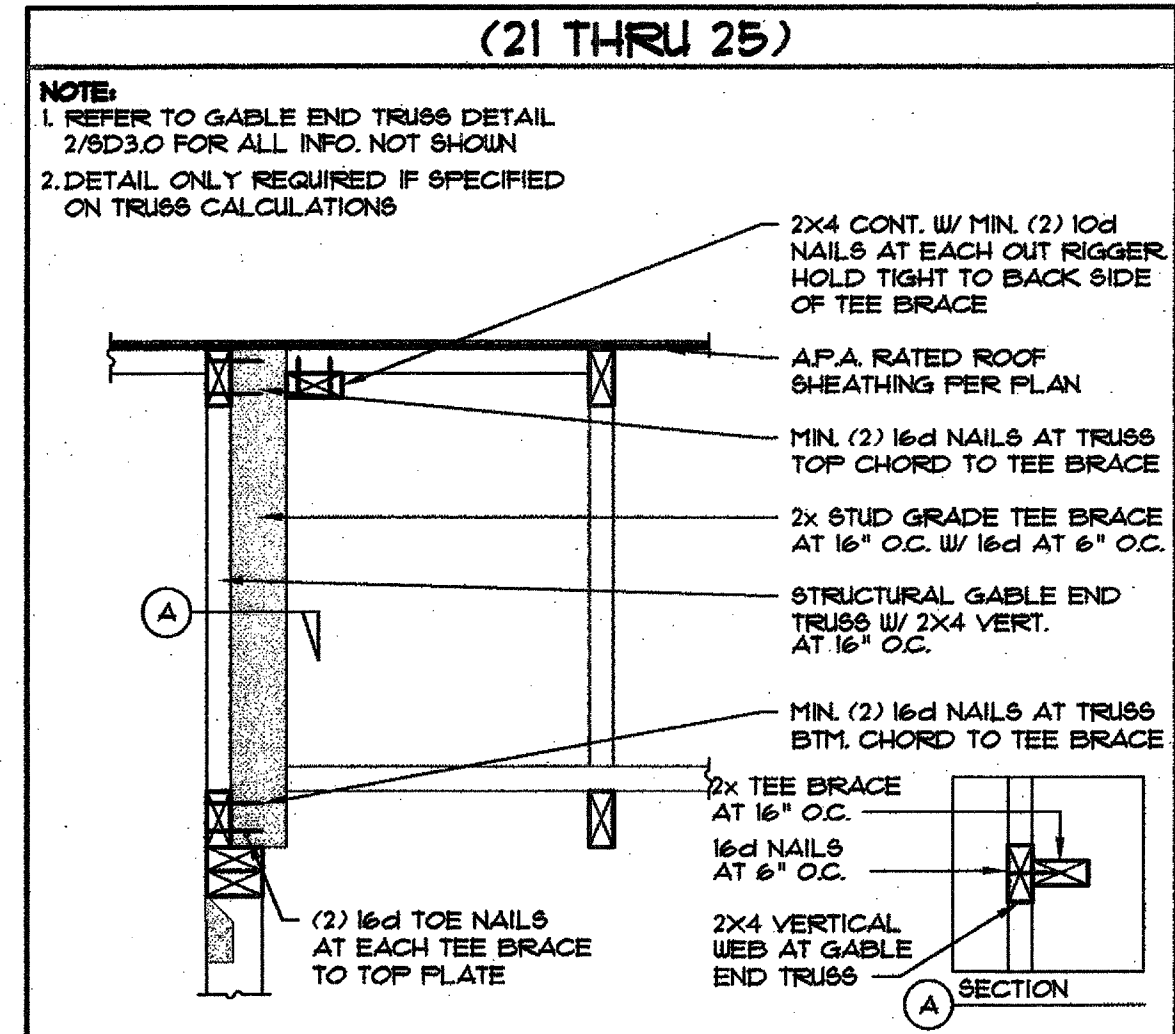
REFERENCE DATE: 03-28-07  
ISSUED FOR:

CLIENT DELIVERY: 03-29-07

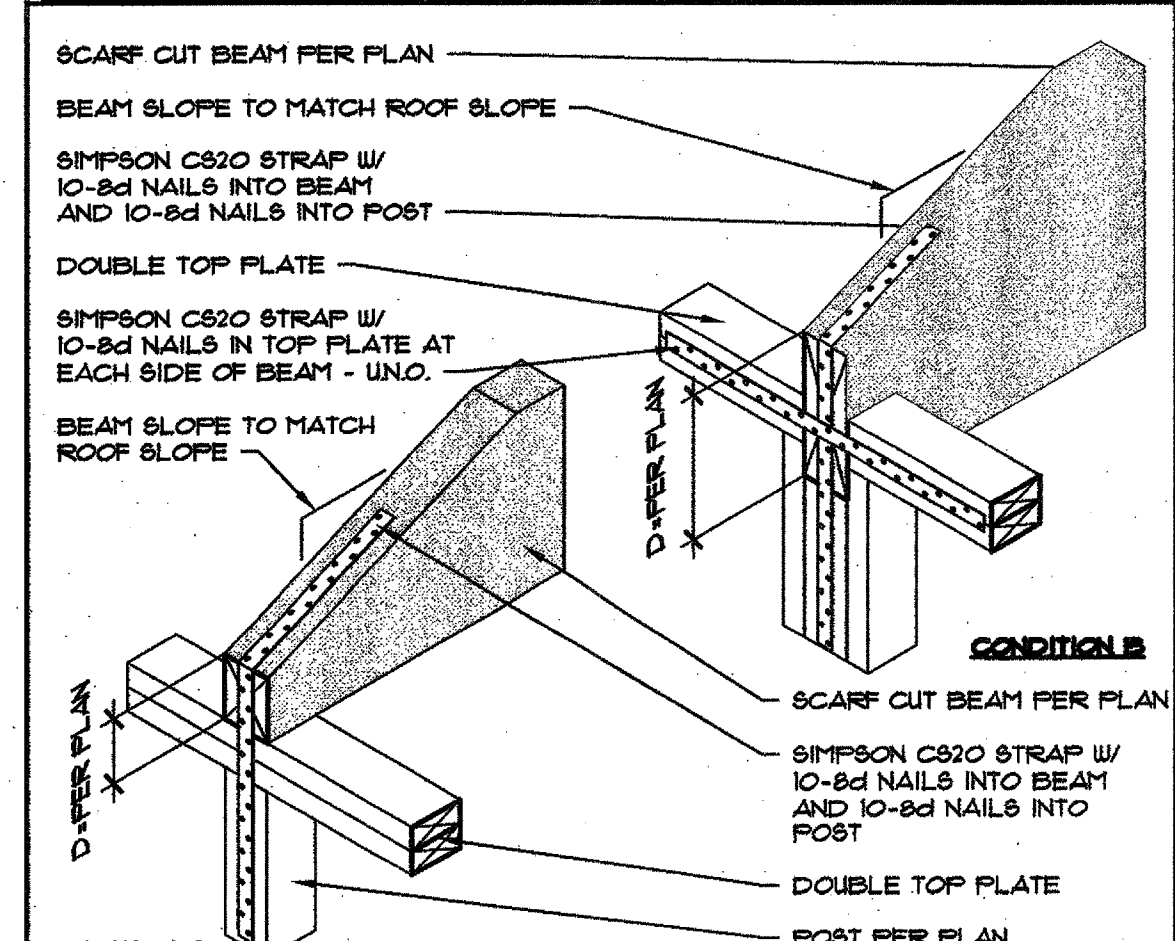


**CONTACTS:**  
-For design questions regarding these plans and specifications contact the Project Manager:  
**Steve Damer**  
Telephone: (623) 869-0601 ext. 233  
Facsimile: (623) 869-0609  
Email: steved@borm.com  
-For scheduling site observation and for field changes contact the Construction Administrator:  
**Allison Engley**  
Telephone: (623) 869-0601 ext. 232  
Facsimile: (623) 869-0609  
Email: allisa@borm.com

FILE NO.: 12564  
CAD NO.: SD40-AZ-NV  
DRAWN BY: KER  
ENGINEER: H  
SCALE: 1/4" = 1'-0"  
SHT NO.: **SD4.0**



**GABLE END WALL AT HEIGHTS GREATER THAN 5'-6" SPACING 21**



**SCARF CUT BEAM TO POST 22**

