

PHOENIX OFFICE:
18820 North 17th Street, Suite 210
Phoenix, Arizona 85024
(623) 869-0601 Telephone
(623) 869-0609 Facsimile

CORPORATE OFFICE:
555 Anton Boulevard, Suite 250
Costa Mesa, California 92626
(714) 513-1500 Telephone
(714) 513-1555 Facsimile

E-Mail: webmail@borm.com
www.borm.com

© COPYRIGHT 2007, BORM ASSOCIATES, INC.
ALL RIGHTS RESERVED.

NOTICE:
THESE DRAWINGS AND SPECIFICATIONS AND THE IDEAS, DESIGNS AND ARRANGEMENTS REPRESENTED THEREBY ARE AND SHALL REMAIN THE PROPERTY OF BORM ASSOCIATES, INC. AND NO PART THEREOF SHALL BE COPIED, DISCLOSED TO OTHERS, OR USED IN CONNECTION WITH ANY OTHER WORK OR PROJECT OTHER THAN THE SPECIFIC PROJECT FOR WHICH THEY HAVE BEEN PREPARED AND DEVELOPED WITHOUT THE WRITTEN CONSENT OF BORM ASSOCIATES, INC. VISUAL CONTACT WITH THESE DRAWINGS OR SPECIFICATIONS SHALL CONSTITUTE CONCLUSIVE EVIDENCE OF THESE RESTRICTIONS.

WRITTEN DIMENSIONS ON THESE DRAWINGS SHALL HAVE PRECEDENCE OVER SCALED DIMENSIONS. CONTRACTORS SHALL VERIFY, AND BE RESPONSIBLE FOR ALL DIMENSIONS AND CONDITIONS OF THE JOB. THIS OFFICE MUST BE NOTIFIED OF VARIATIONS FROM THE WRITTEN CONSENT OF BORM ASSOCIATES, INC. DIMENSIONS AND CONDITIONS SHOWN BY THESE DRAWINGS.

REFER TO 8N SHEETS FOR ALL NOTES AND SPECIFICATIONS

PROJECT:
Broadway at San Marcos

OWNER/DEVELOPER:
Liberty Homes

ARCHITECT/DESIGNER:
MDW Designs

SHEET:

1 POUR POST TENSION FOUNDATION DETAILS (1 thru 30)

REFERENCE DATE: 03-28-07

ISSUED FOR:

CLIENT DELIVERY: 03-29-07

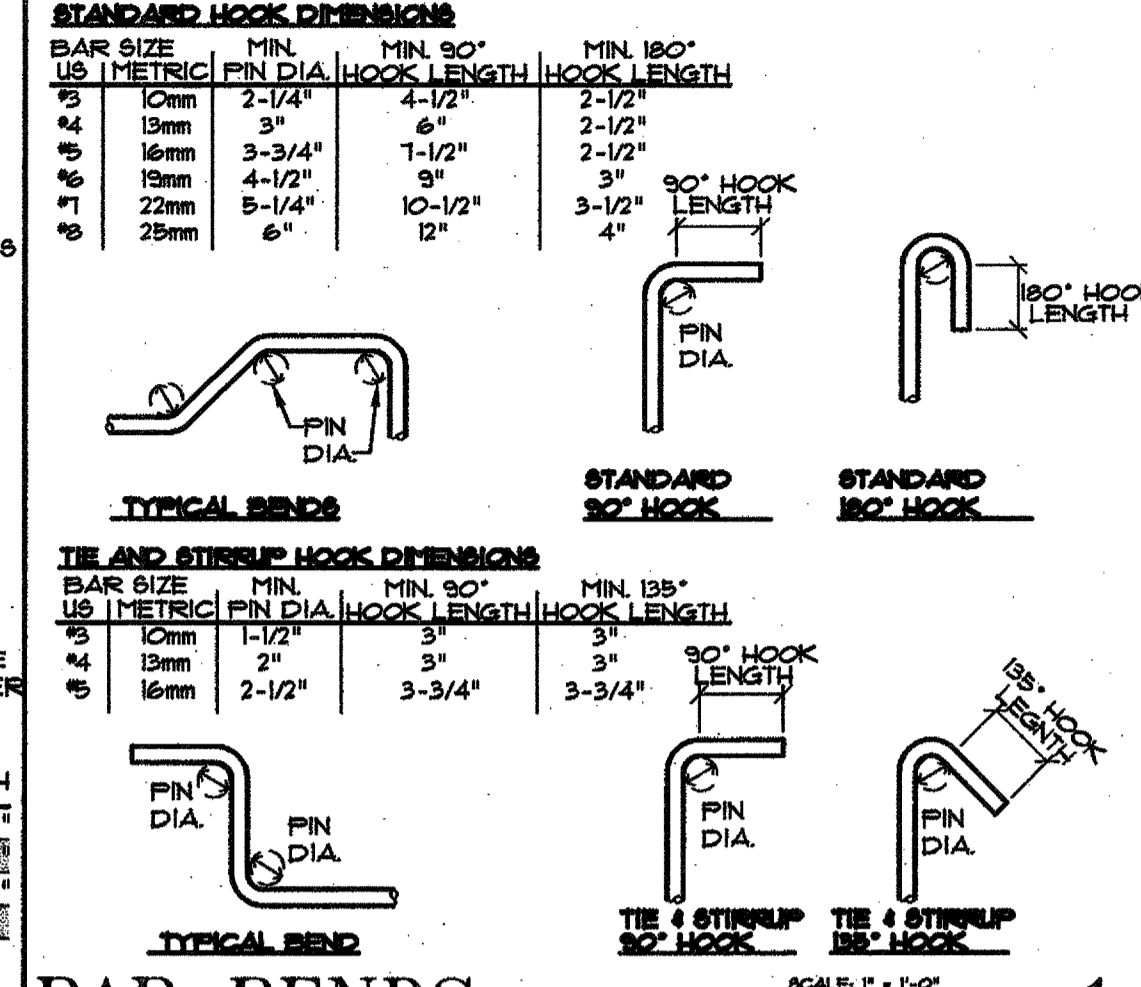


CONTACTS:
- For design questions regarding these plans and specifications contact the Project Manager:
Steve Danner
Telephone: (623) 869-0601 ext. 233
Facsimile: (623) 869-0605
Email: sdanner@borm.com
- For scheduling site observation and for field changes contact the Construction Administrator:
Alissa Engel
Telephone: (623) 869-0601 ext. 232
Facsimile: (623) 869-0609
Email: alissa@borm.com

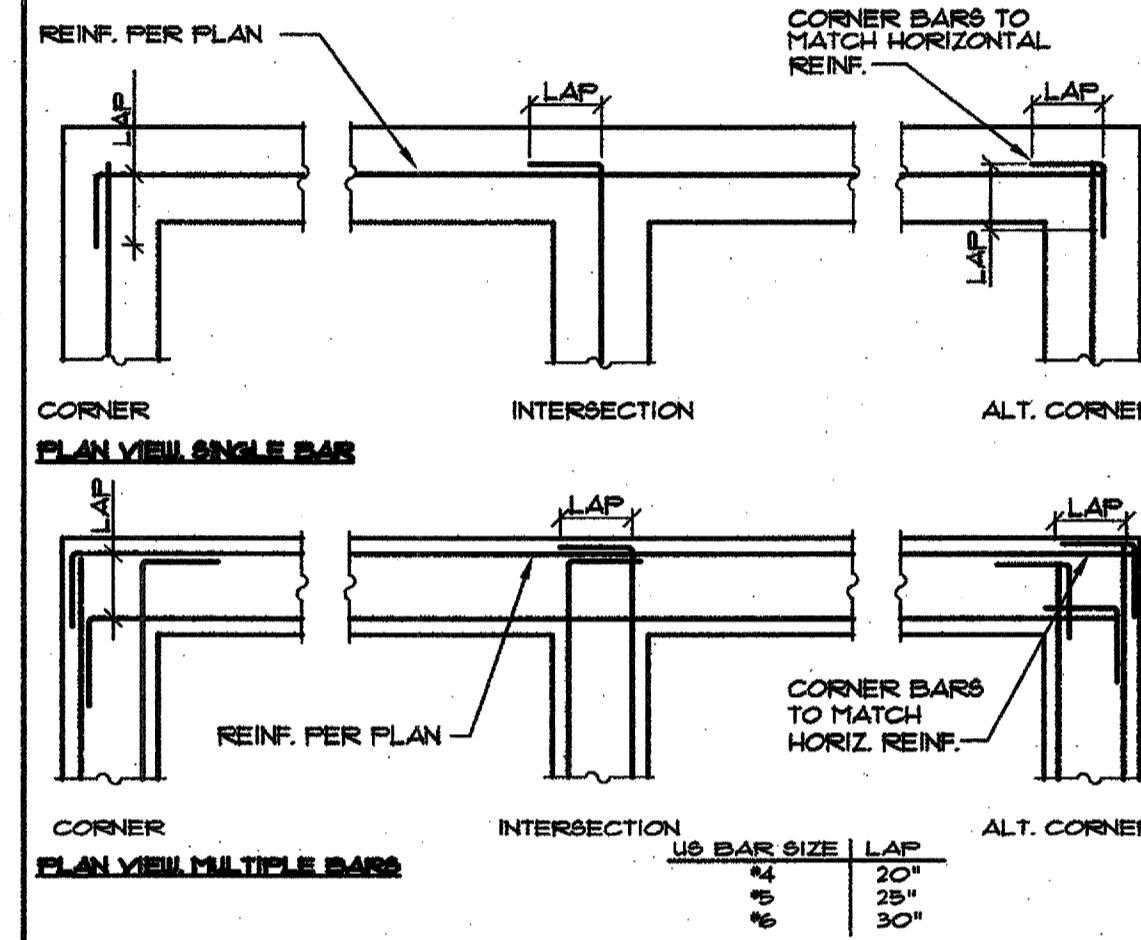
FILE NO: 12564
CAD NO.: 0564 8D-0
DRAWN BY: KER
ENGINEER: HI
SCALE: 1/4" = 1'-0"

SDIO

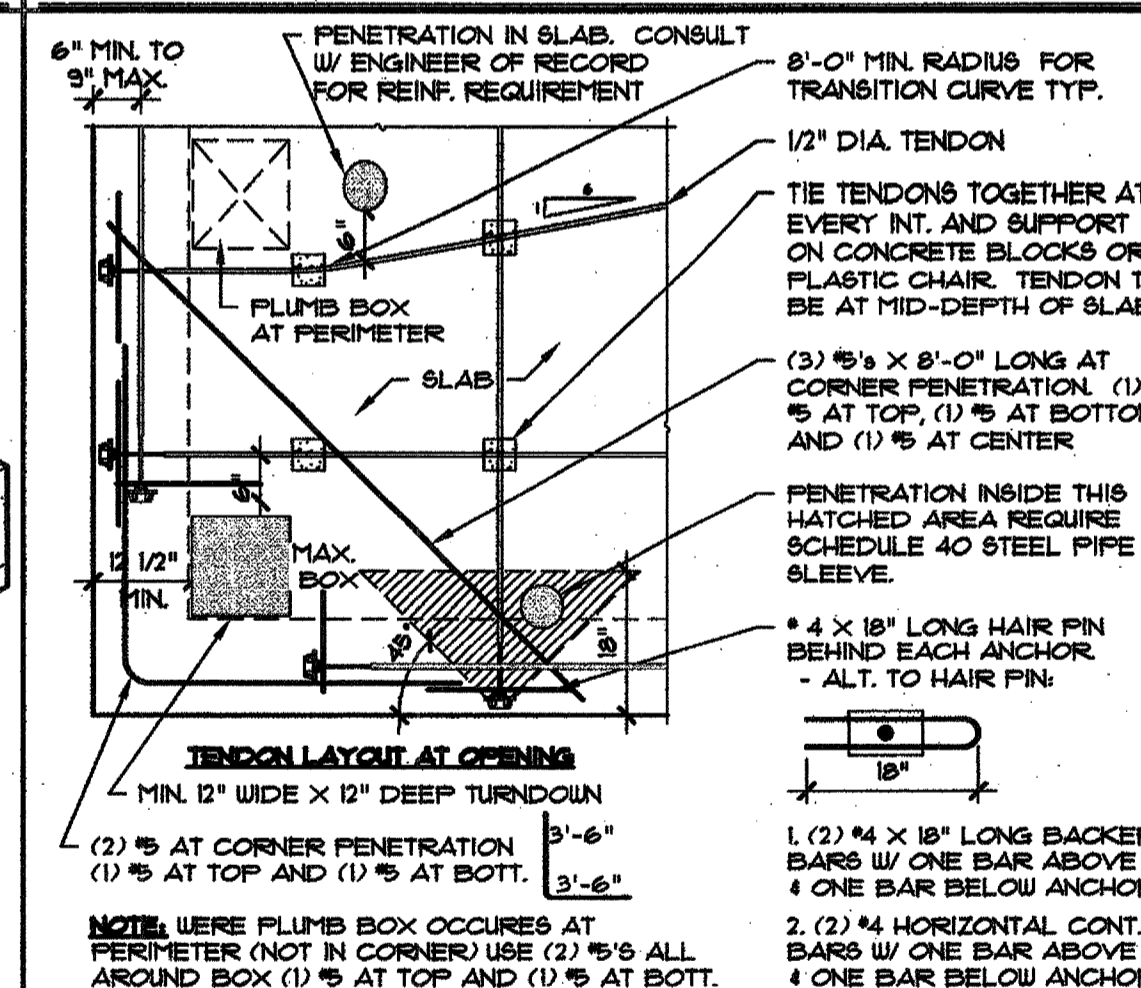
(1 THRU 5)



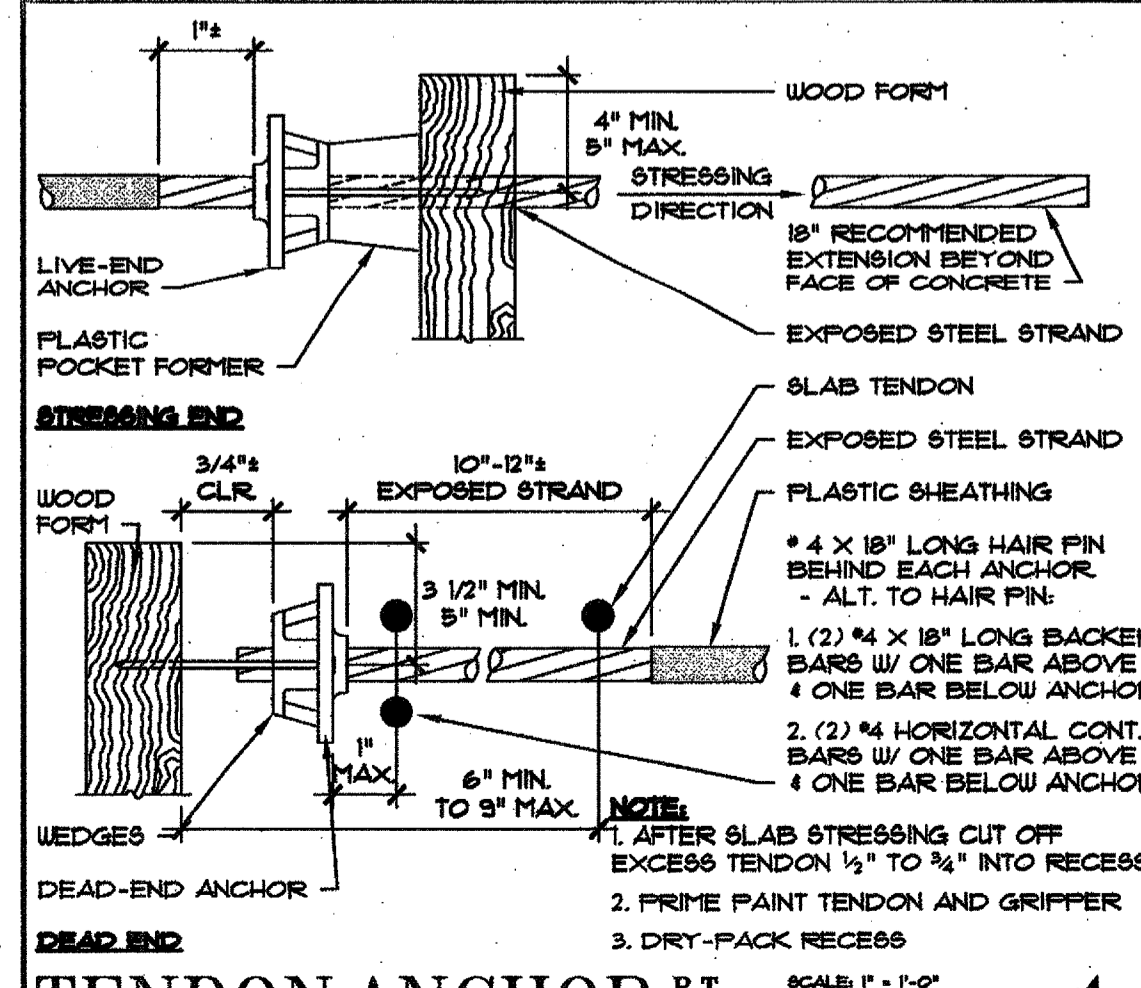
BAR BENDS 1



FOOTING REINFORCEMENT AT INTERSECT. & CORNERS 2

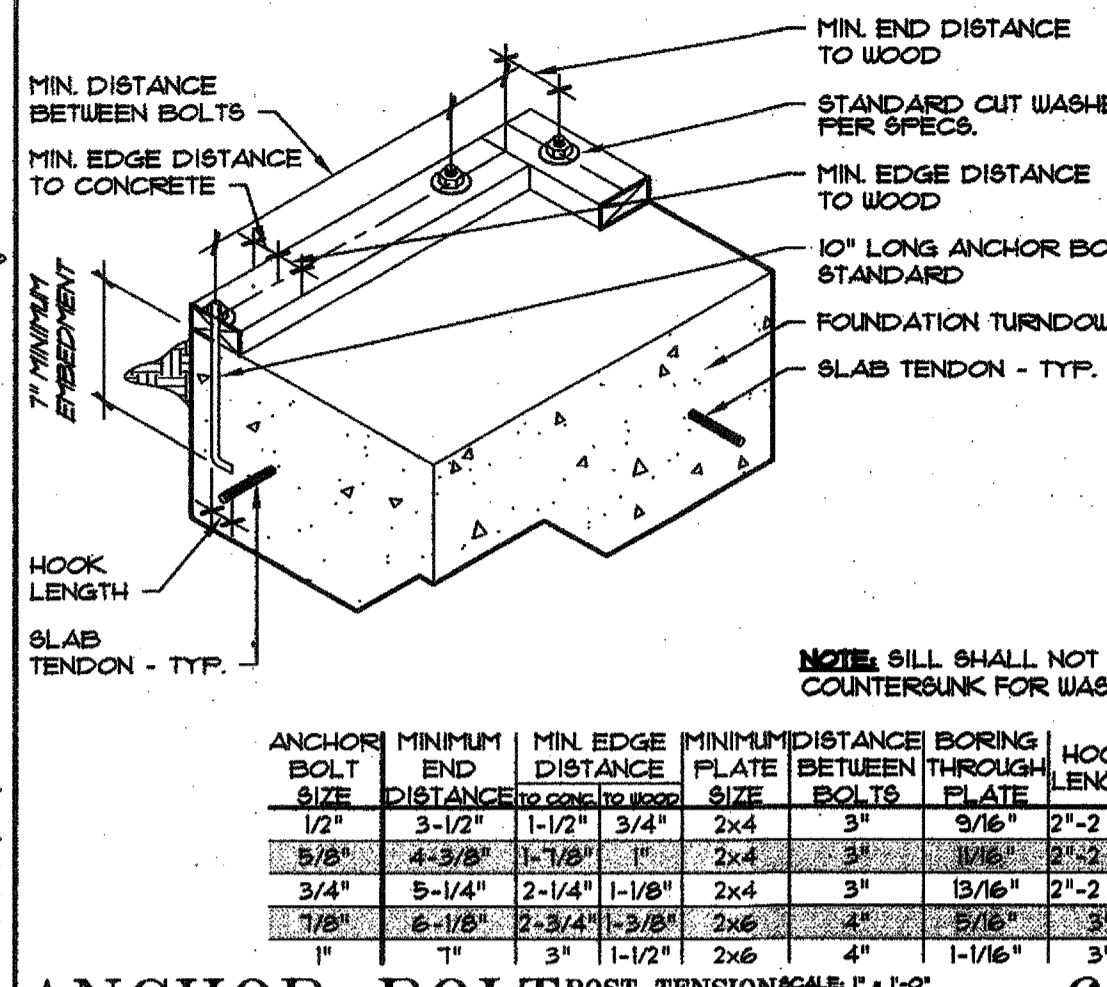


P.T. LAYOUT AND PLUMBING PENETRATION 3

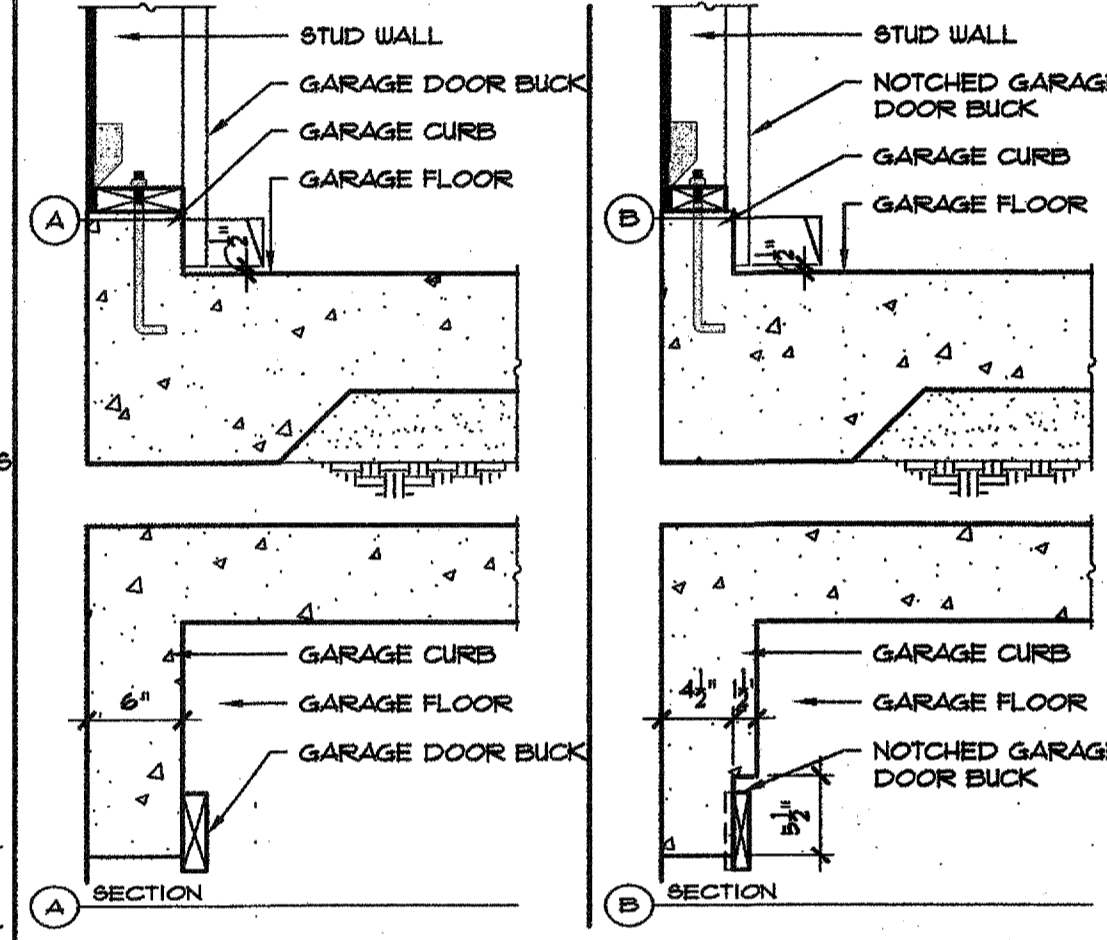


TENDON ANCHOR AT INTERIOR WALL 4

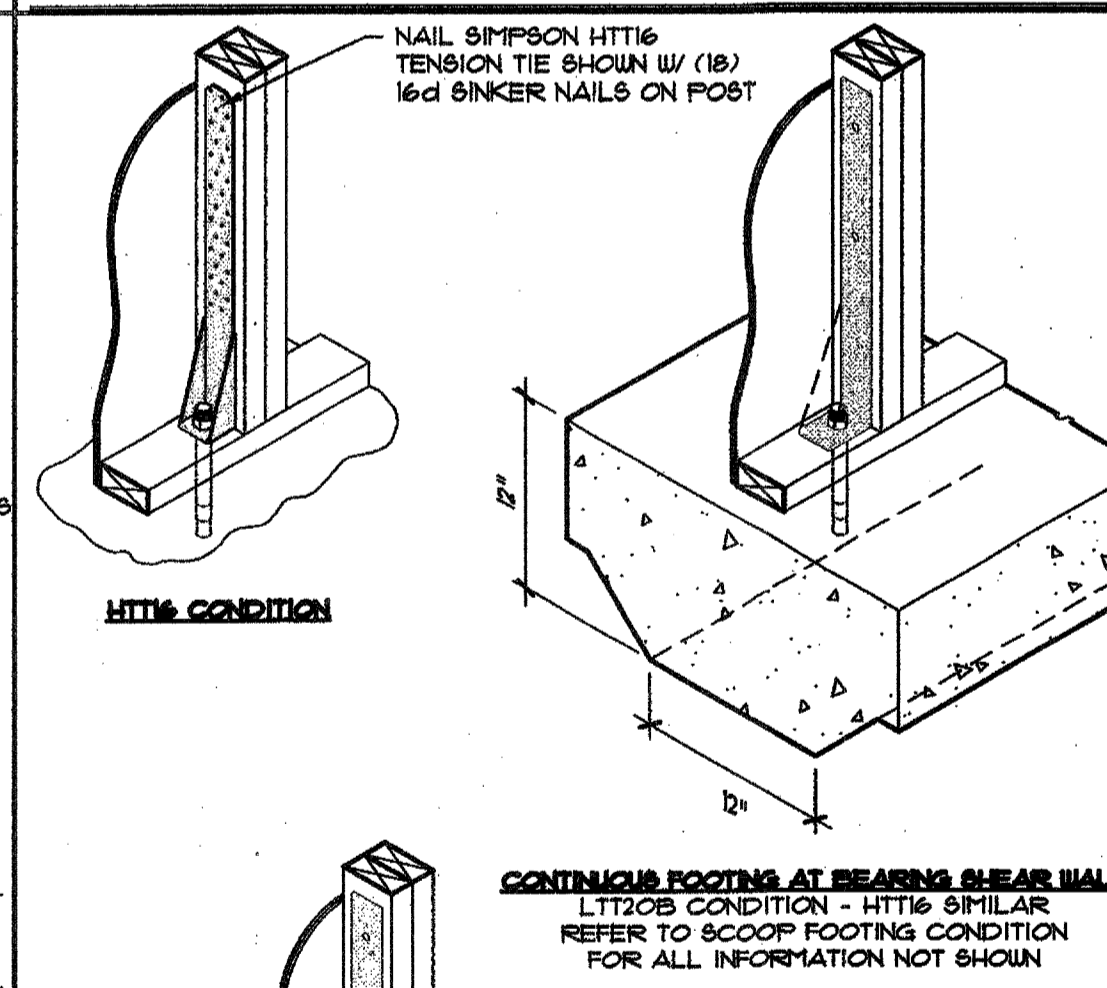
(6 THRU 9)



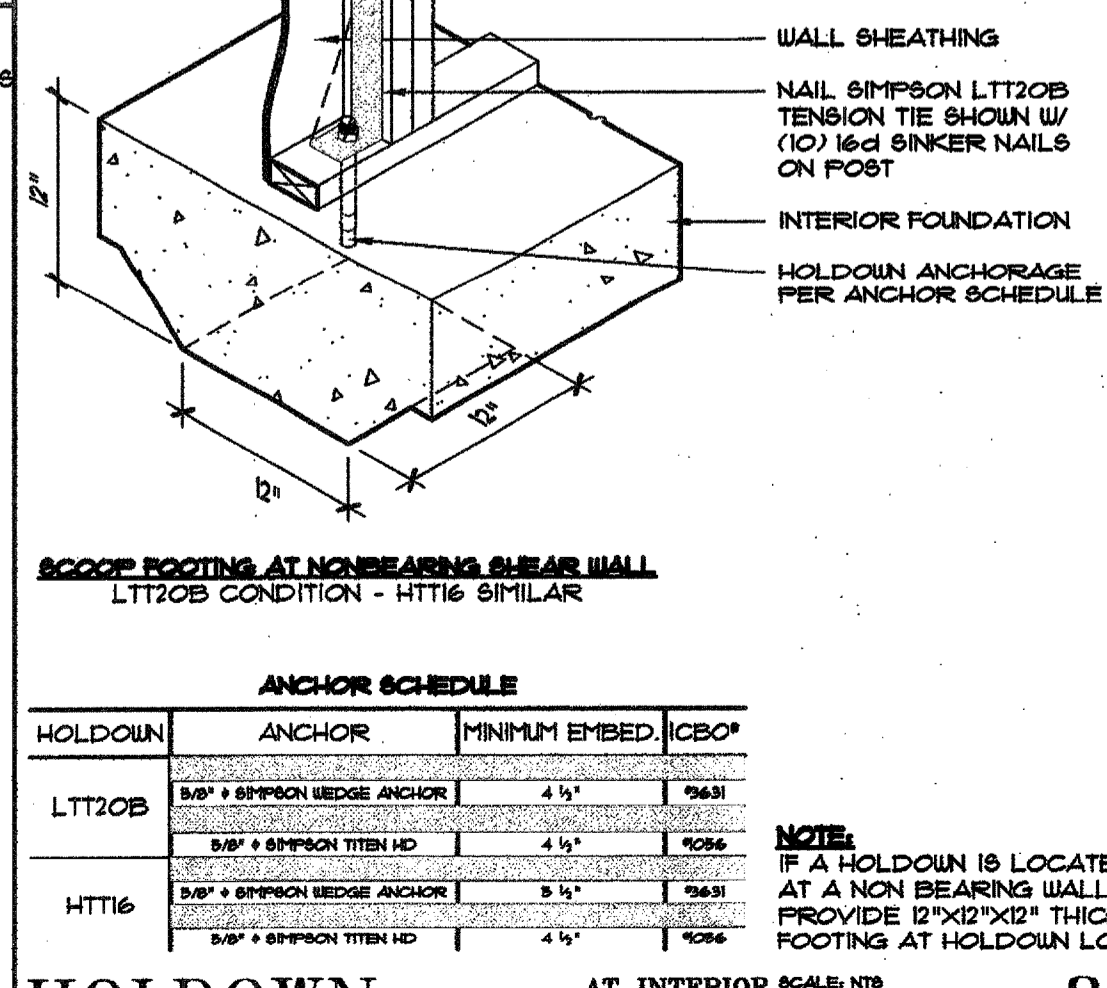
ANCHOR BOLT POST TENSION FOUNDATION 6



GARAGE BUCK POST TENSION FOUNDATION 7

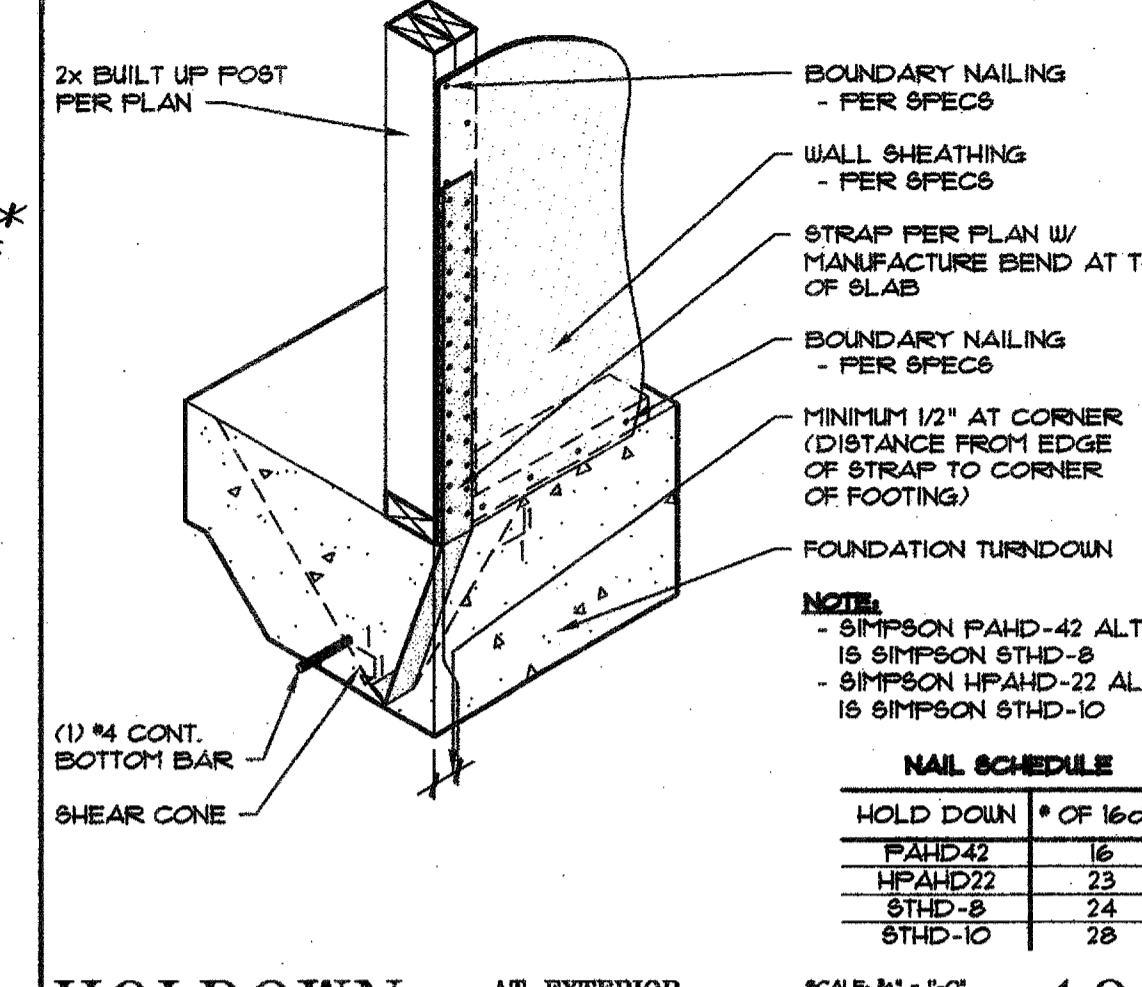


GARAGE FT'G POST TENSION FOUNDATION 12

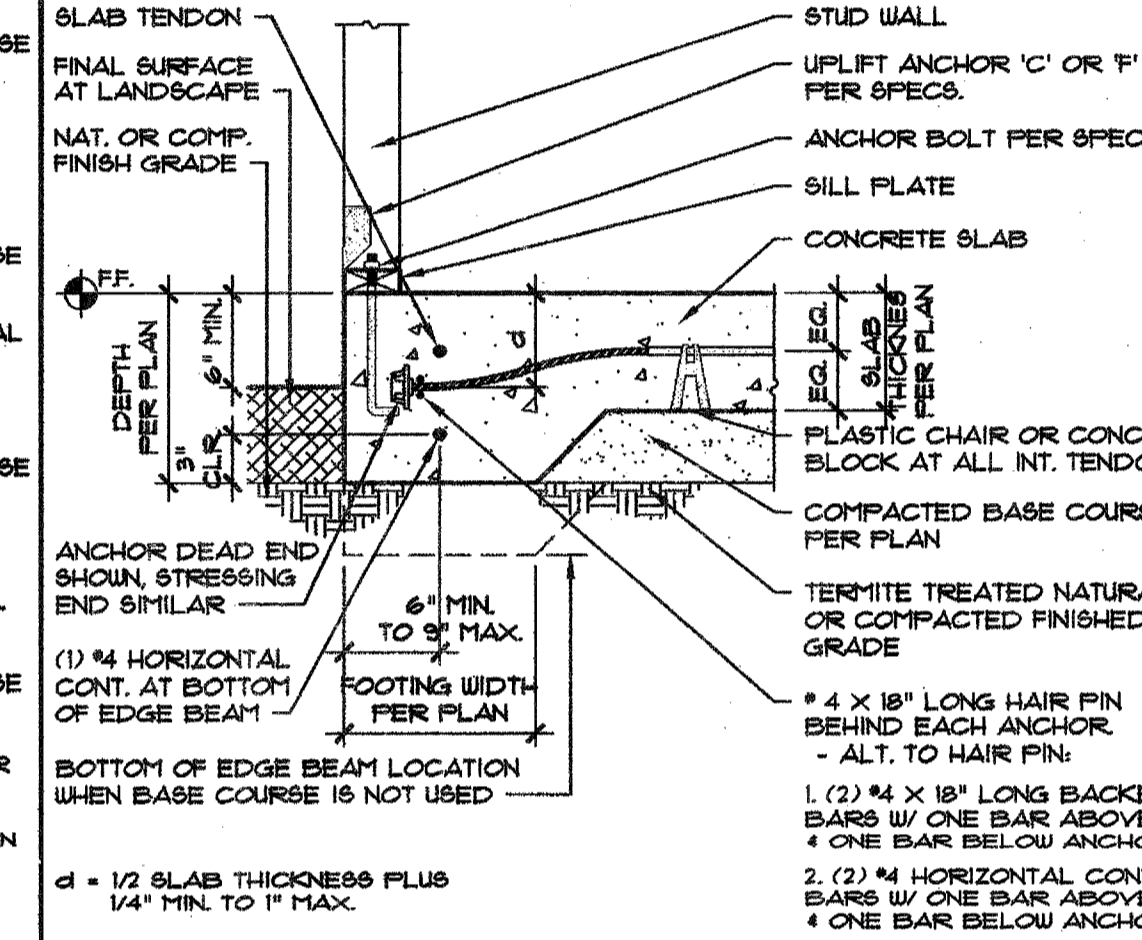


HOLD-DOWN AT INTERIOR WALL 8

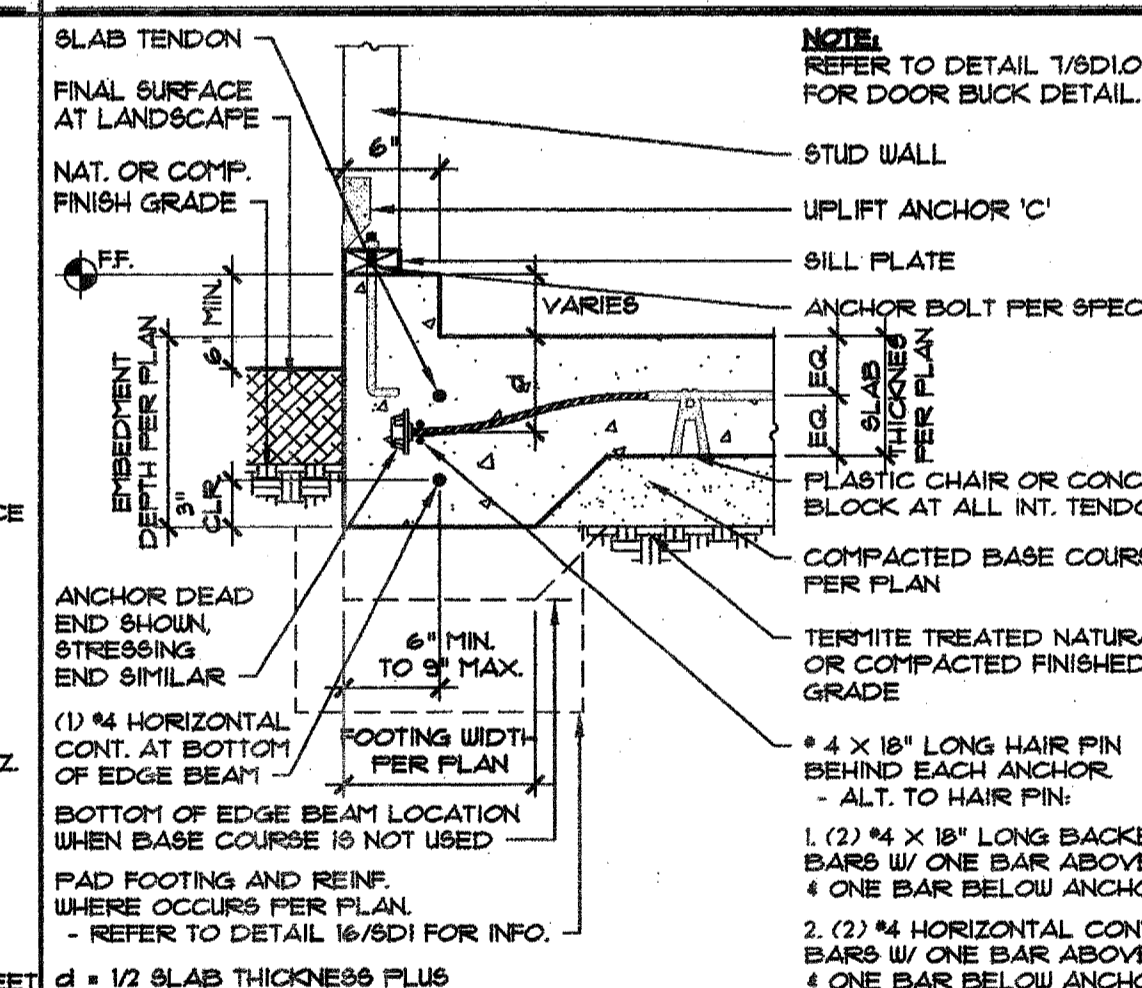
(10 THRU 14)



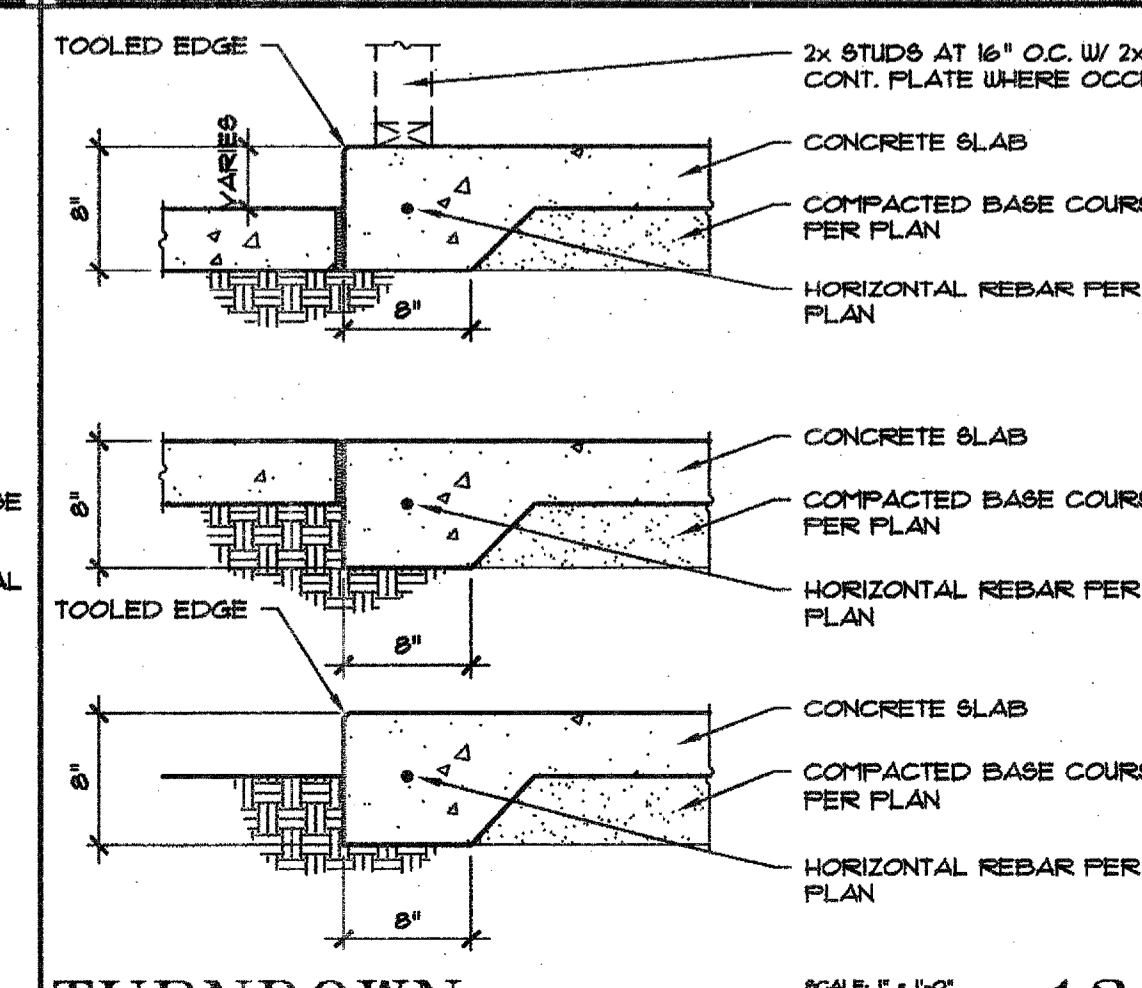
HOLD-DOWN AT EXTERIOR WALL 10



EXT. FOOTING POST TENSION FOUNDATION 11

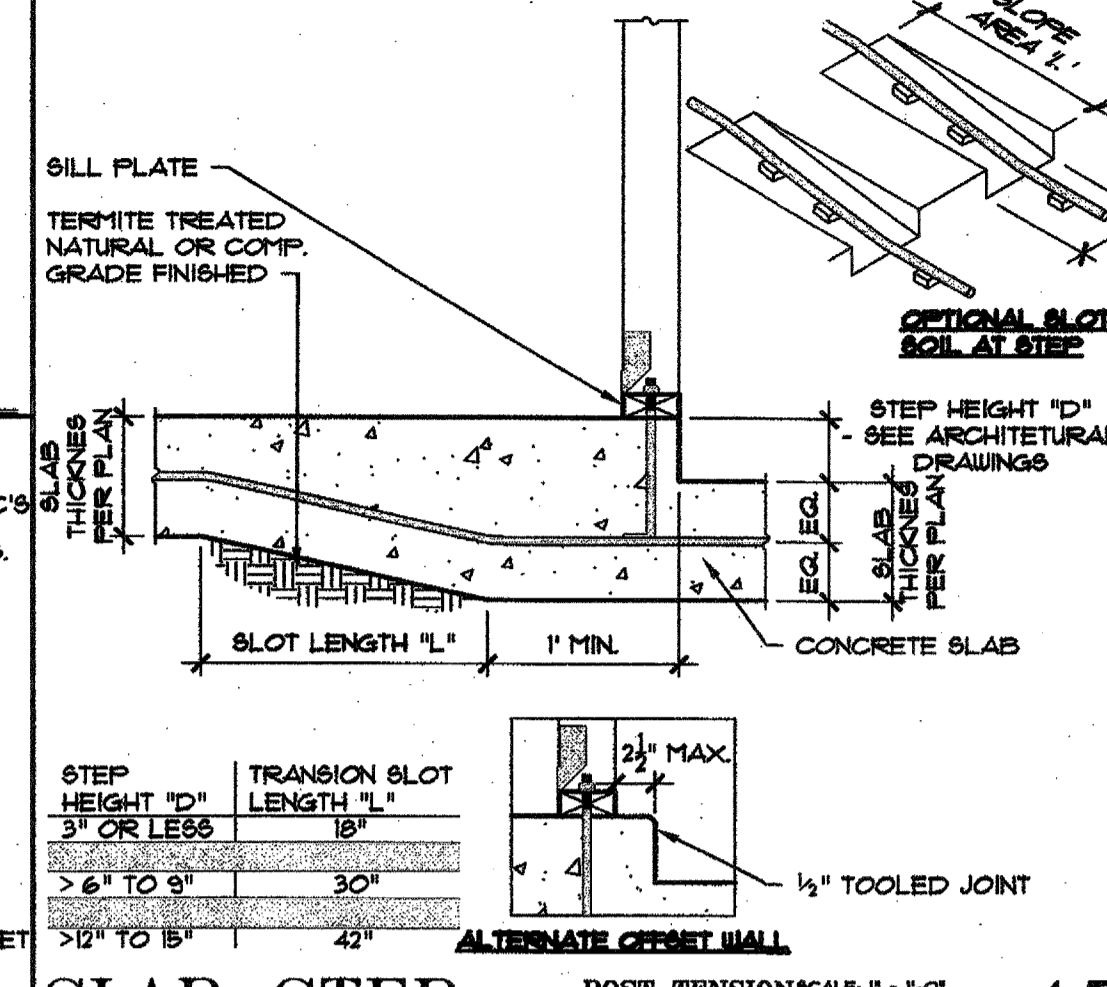


GARAGE FT'G POST TENSION FOUNDATION 13

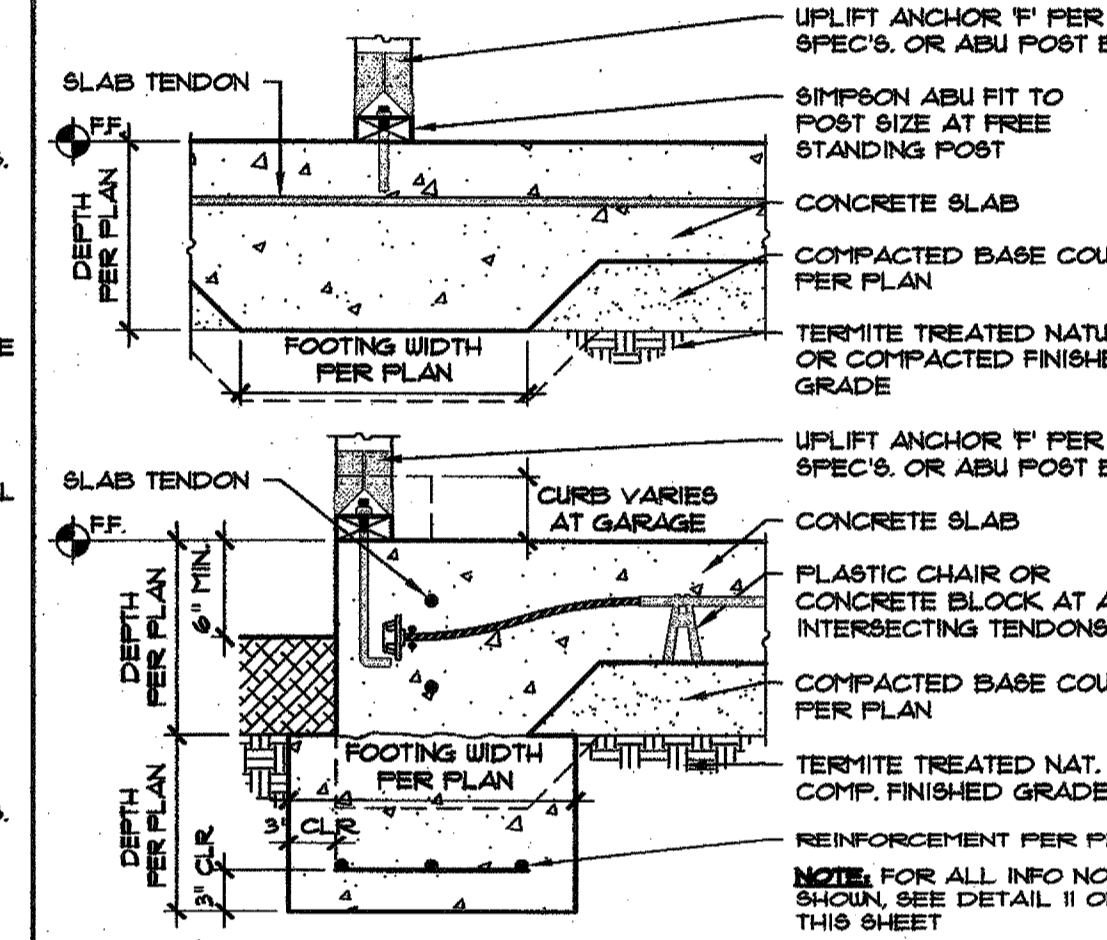


TURNDOWN AT INTERIOR WALL 13

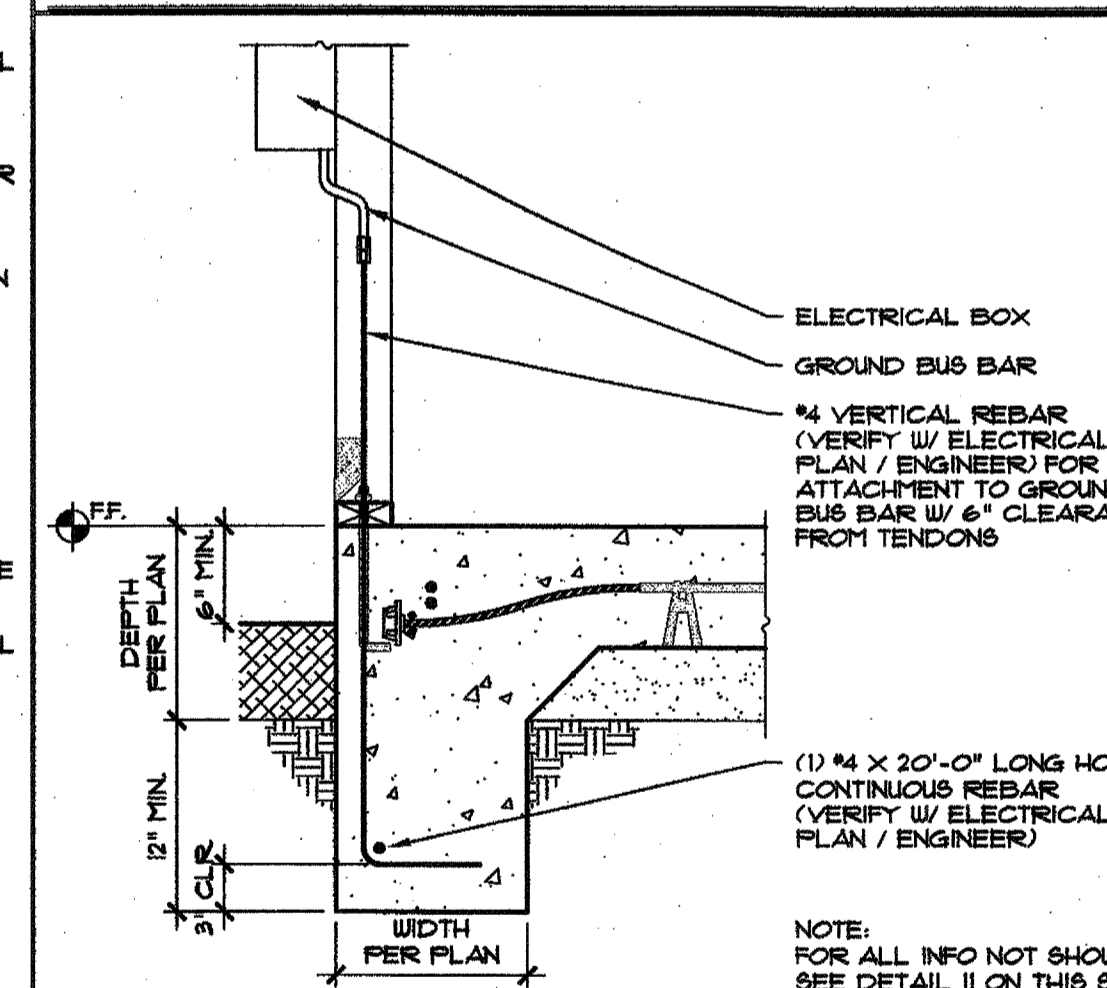
(15 THRU 19)



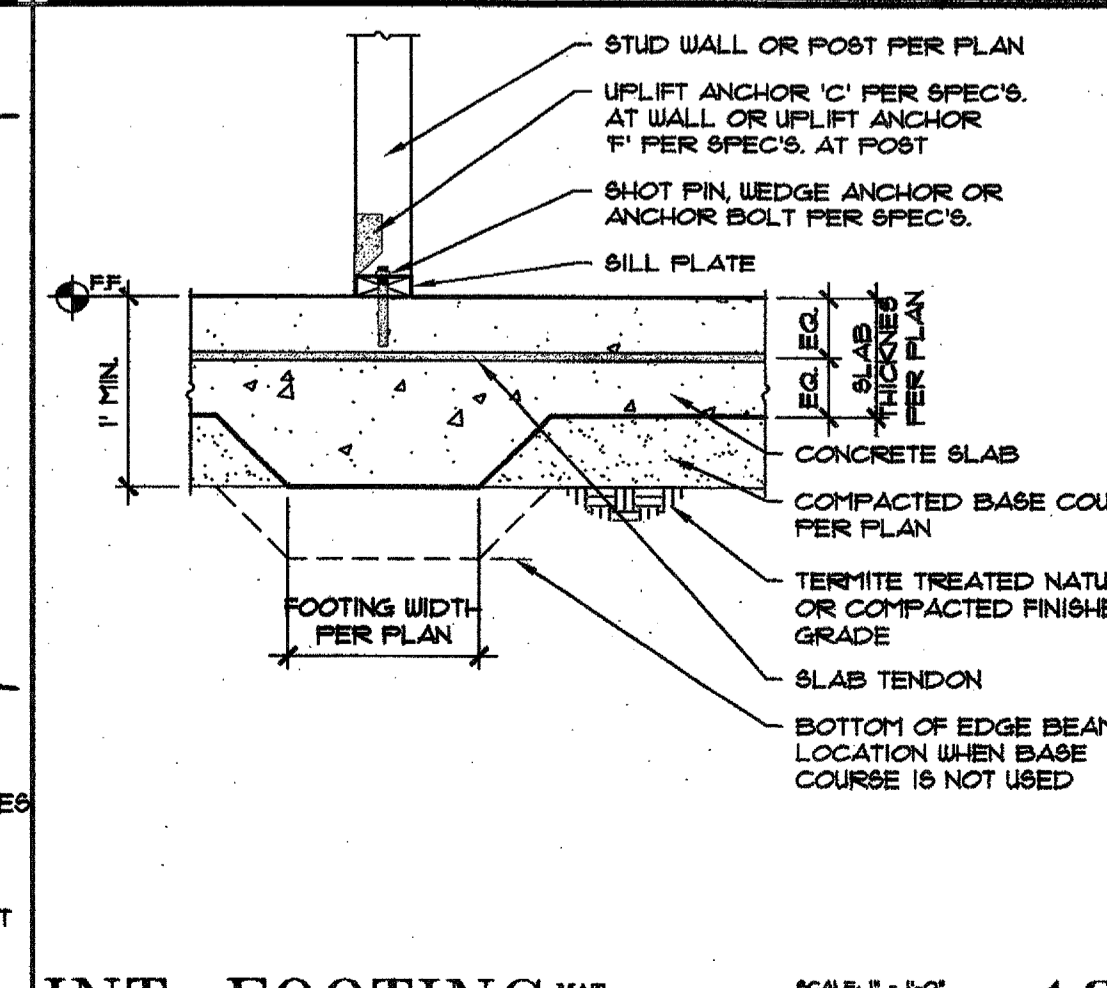
SLAB STEP POST TENSION FOUNDATION 15



SPREAD FT'G POST TENSION FOUNDATION 16

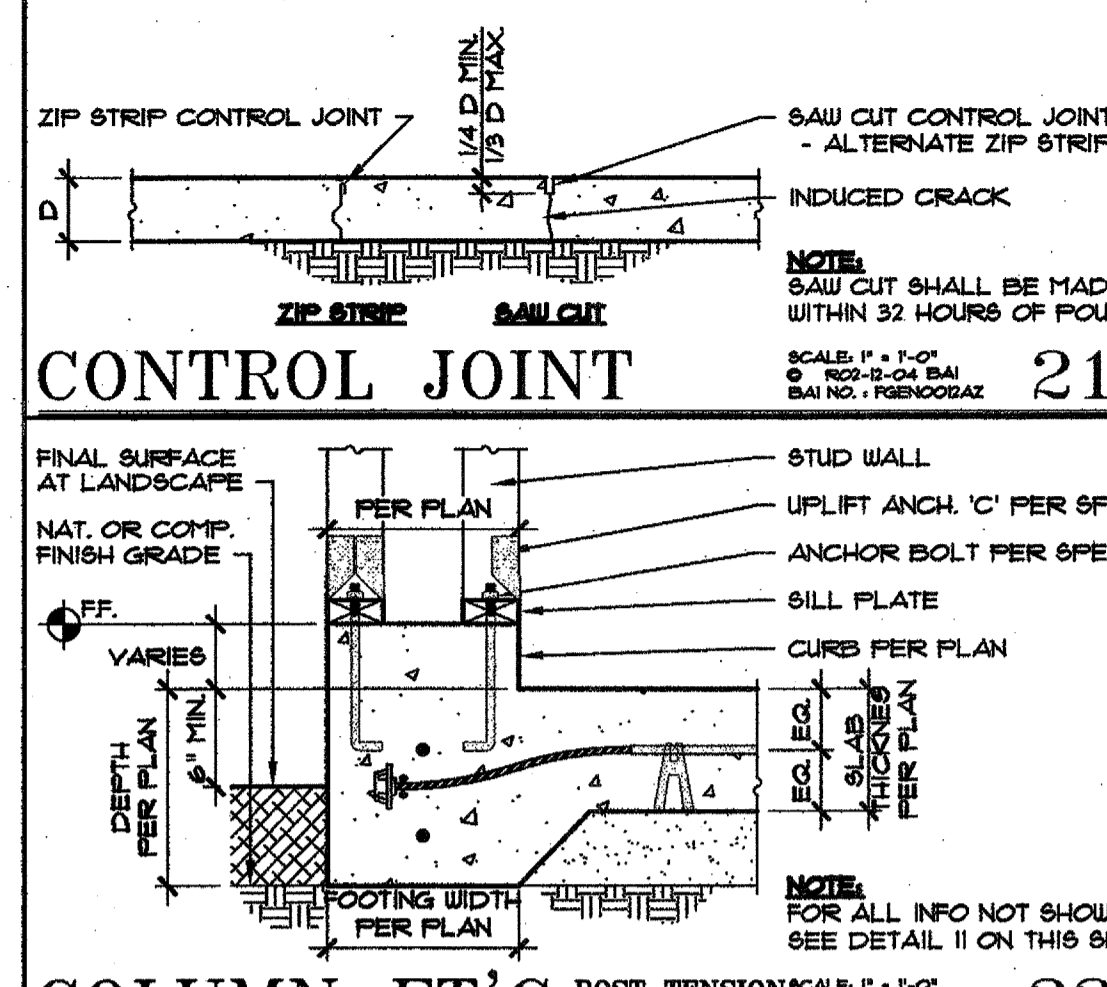


UPPER AT MAT FOUNDATION 17

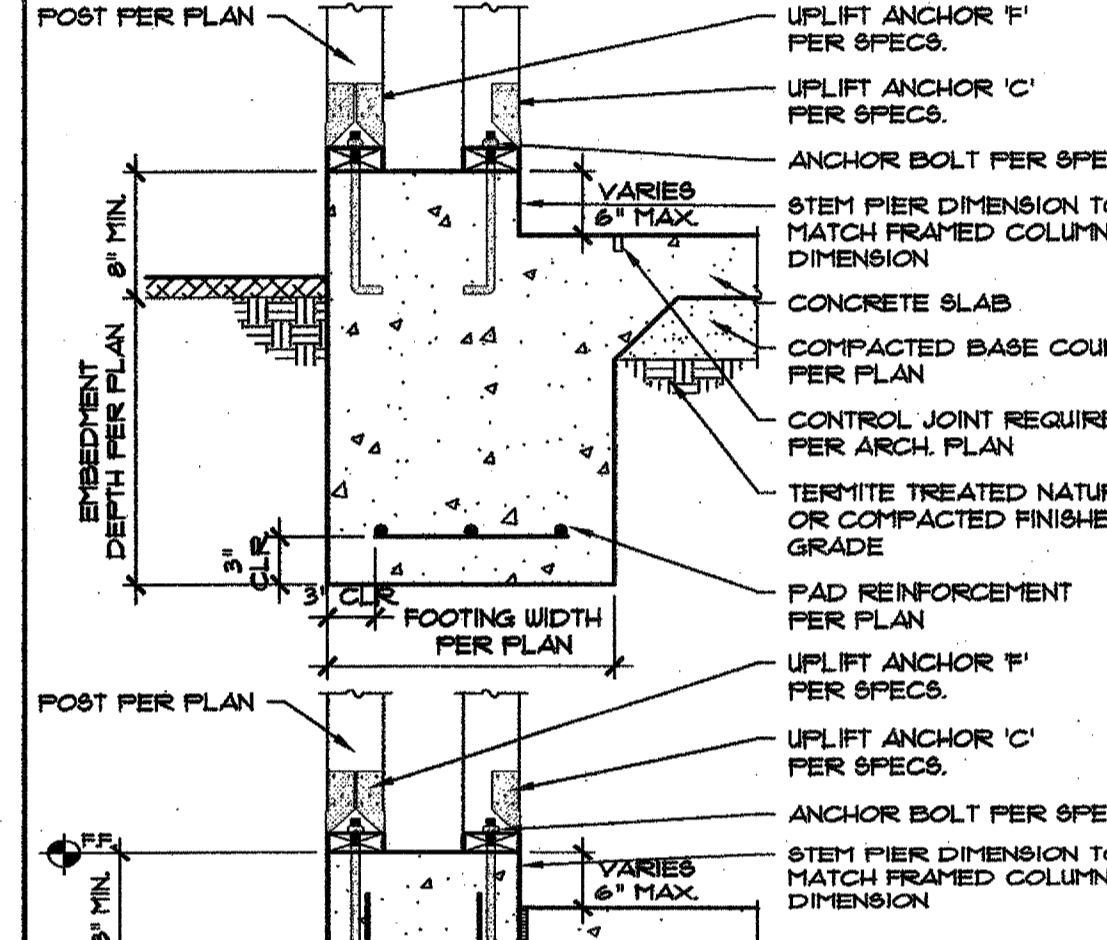


INT. FOOTING MAT FOUNDATION 18

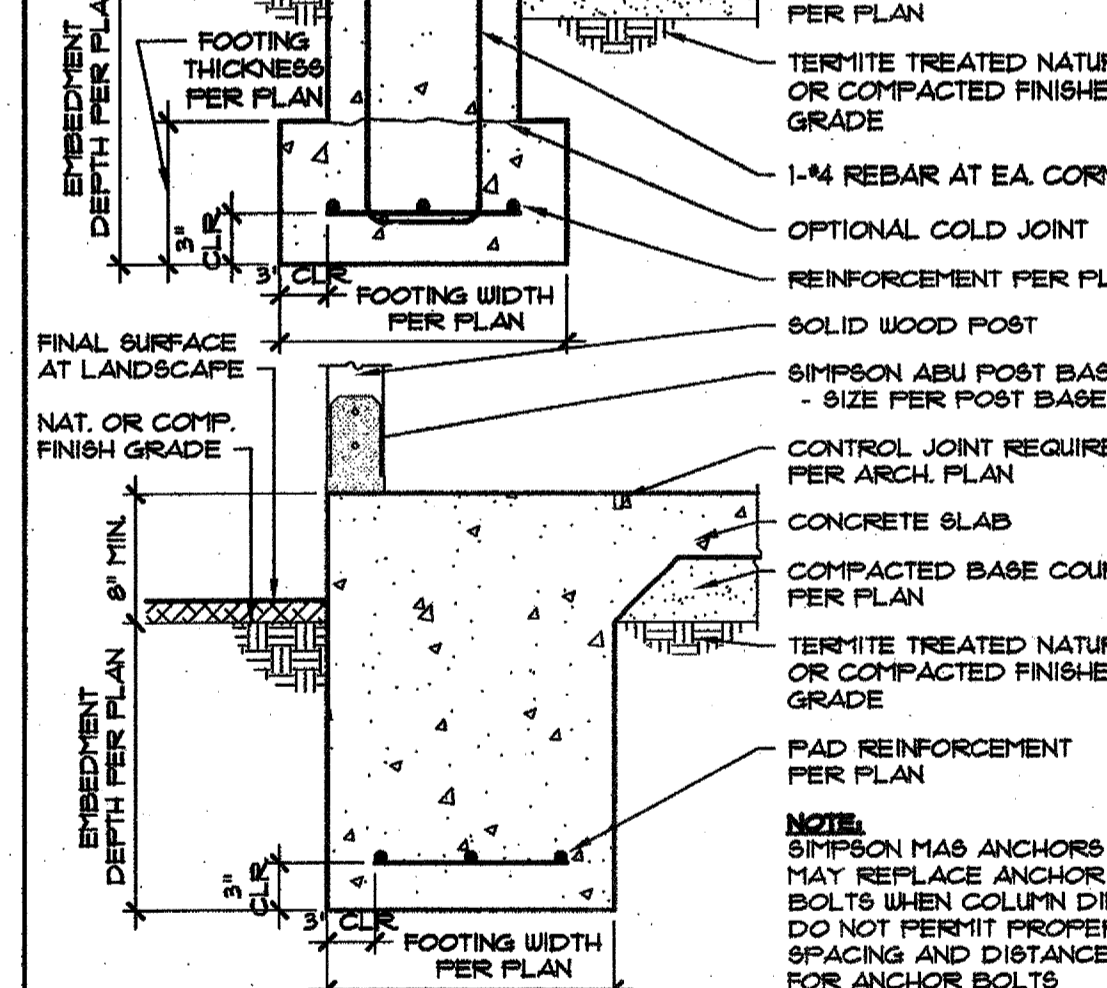
(20 THRU 25)



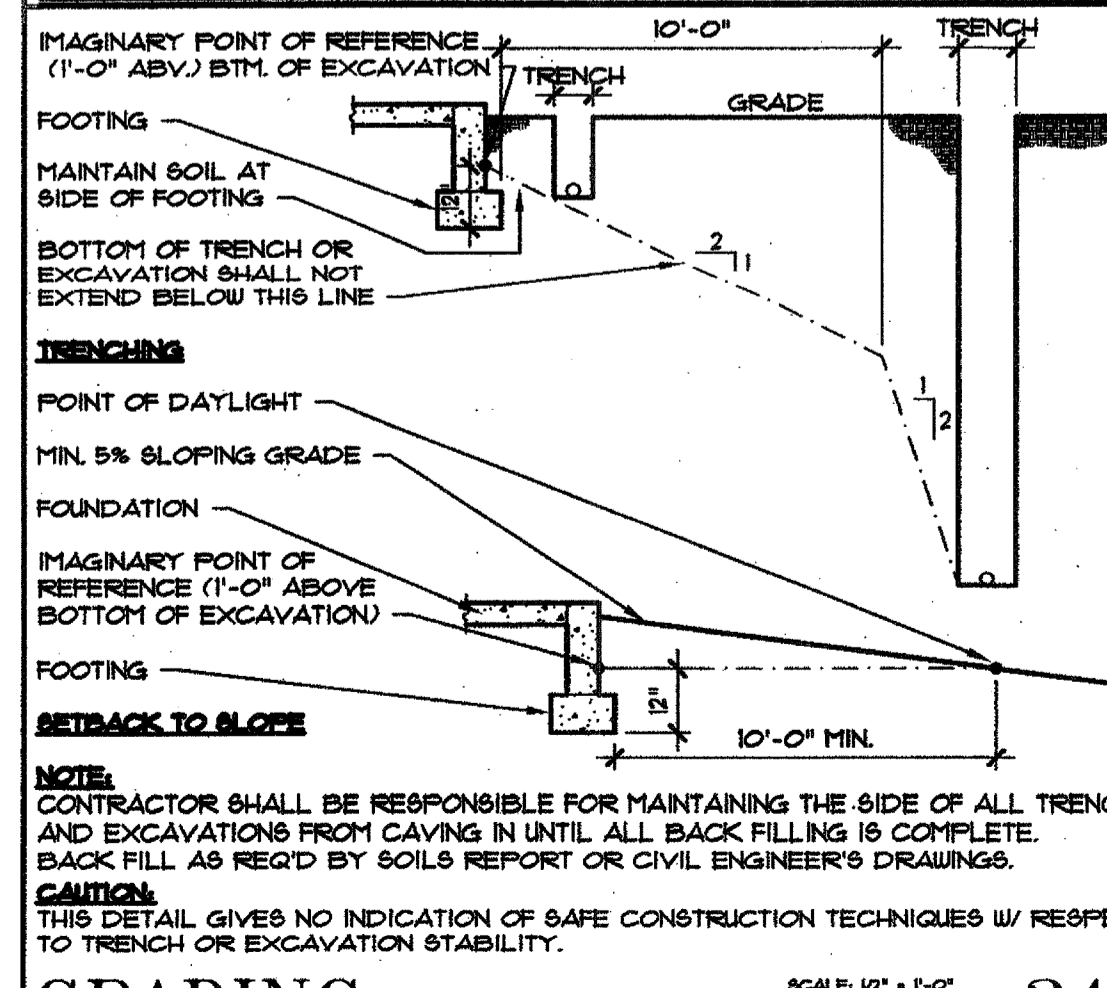
COLUMN FT'G POST TENSION FOUNDATION 22



PATIO FT'G AT SOLID POST 23



GRADING 24



GRADING 24

INT. FOOTING MAT FOUNDATION 18

TURNDOWN AT INTERIOR WALL 13

HOLD-DOWN AT INTERIOR WALL 8

TENDON ANCHOR AT INTERIOR WALL 4

SDIO