

**PHOENIX OFFICE:**  
19820 North 11th Street, Suite 210  
Phoenix, Arizona 85024  
(623) 869-0601 Telephone  
(623) 869-0609 Facsimile

**CORPORATE OFFICE:**  
555 Anton Boulevard, Suite 250  
Costa Mesa, California 92626  
(714) 515-1800 Telephone  
(714) 515-1855 Facsimile

E-Mail: [usmail@borm.com](mailto:usmail@borm.com)  
[www.borm.com](http://www.borm.com)

COPYRIGHT 2007, BORM ASSOCIATES, INC.  
ALL RIGHTS RESERVED.

**NOTICE:**  
THESE DRAWINGS AND SPECIFICATIONS AND THE IDEAS, DESIGNS, AND ARRANGEMENTS REPRESENTED THEREBY ARE AND SHALL REMAIN THE PROPERTY OF BORM ASSOCIATES, INC. AND NO PART THEREOF SHALL BE COPIED, REPRODUCED, OR USED IN CONNECTION WITH ANY OTHER WORK OR PROJECT OTHER THAN THE SPECIFIC PROJECT FOR WHICH THEY HAVE BEEN PREPARED AND DEVELOPED. WITHOUT THE WRITTEN CONSENT OF BORM ASSOCIATES, INC. VISUAL CONTACT WITH THESE DRAWINGS OR SPECIFICATIONS SHALL CONSTITUTE CONCLUSIVE EVIDENCE OF THESE RESTRICTIONS.

WRITTEN DIMENSIONS ON THESE DRAWINGS SHALL HAVE PRECEDENCE OVER SCALED DIMENSIONS. CONTRACTORS SHALL VERIFY AND BE RESPONSIBLE FOR ALL DIMENSIONS AND CONDITIONS ON THE JOB. THIS OFFICE SHALL BE NOTIFIED OF VARIATIONS FROM THE DIMENSIONS AND CONDITIONS SHOWN IN THESE DRAWINGS.

REFER TO SHEETS FOR ALL NOTES AND SPECIFICATIONS

**PROJECT:**  
**Broadway at San Marcos**

**OWNER/DEVELOPER:**  
**Liberty Homes**

**ARCHITECT/DESIGNER:**  
**MDW Designs**

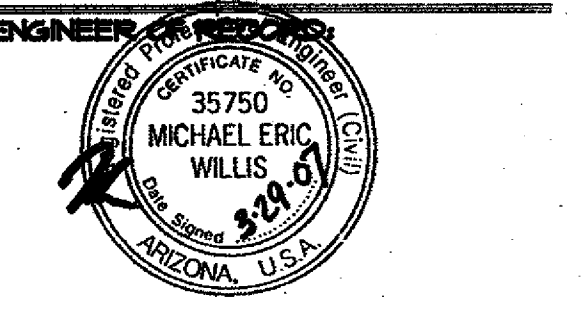
**SHEET:**  
**AZ-NV**

**STRUCTURAL ROOF TRUSS FRAMING DETAILS (1 thru 30)**

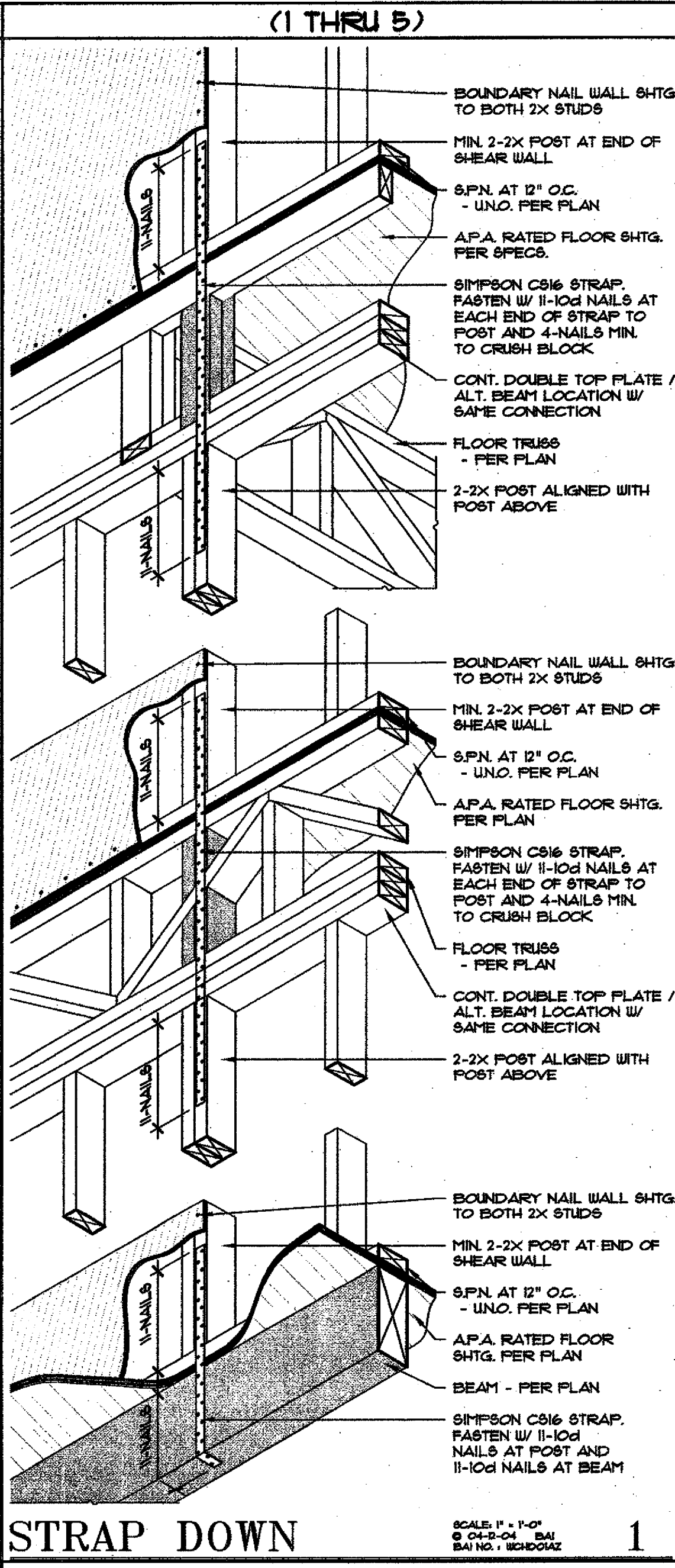
**REFERENCE DATE:** 03-28-07

**ISSUED FOR:**

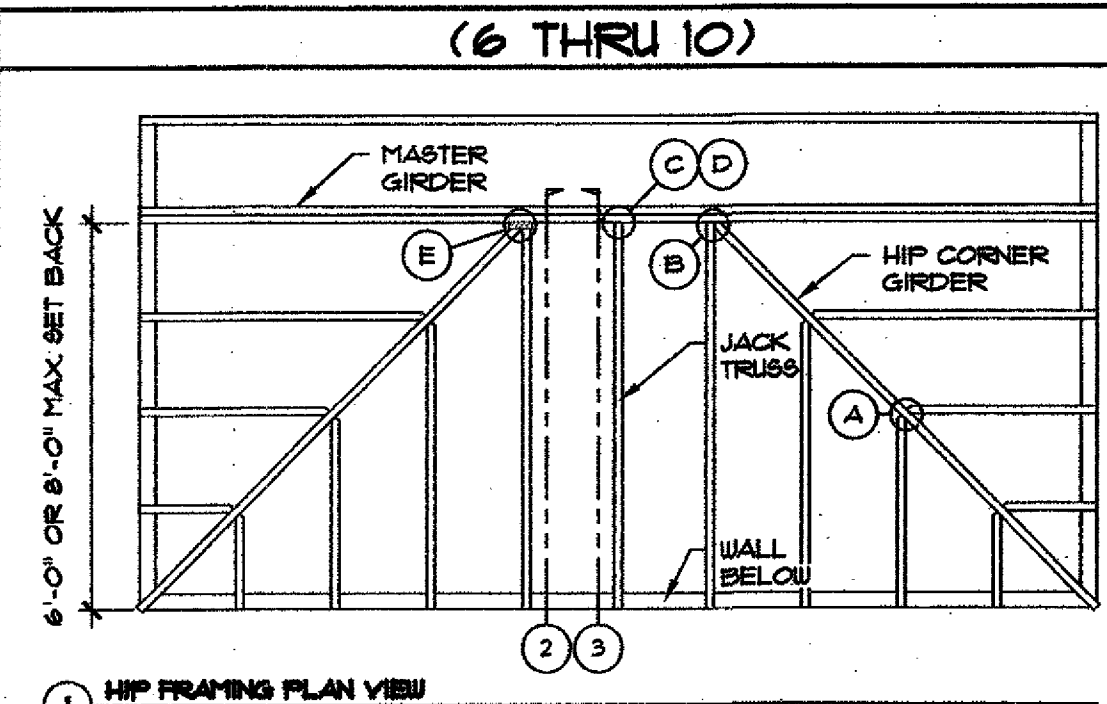
**CLIENT DELIVERY:** 03-29-07



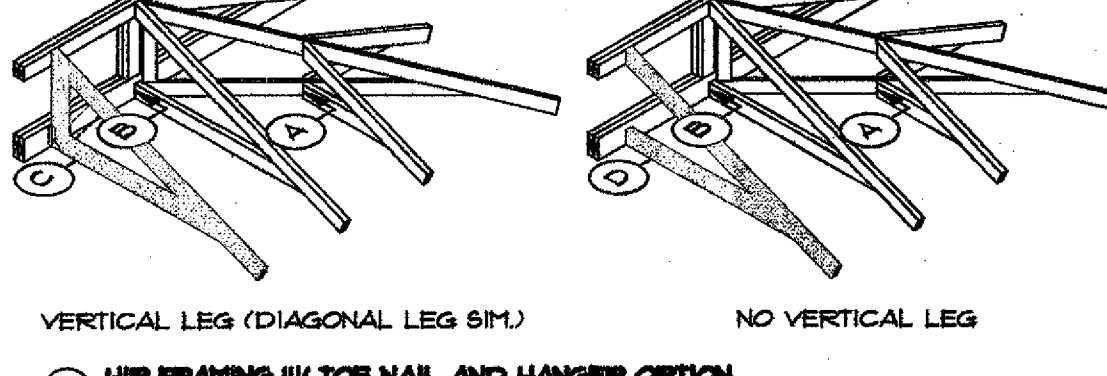
**CONTACTS:**  
-For design questions regarding these plans and specifications contact the Project Manager:  
**Steve Danner**  
Telephone: (623) 869-0607 ext. 233  
Facsimile: (623) 869-0609  
Email: [stevd@borm.com](mailto:stevd@borm.com)  
-For scheduling site observation and for field changes contact the Construction Administrator:  
**Allison Engel**  
Telephone: (623) 869-0607 ext. 232  
Facsimile: (623) 869-0609  
Email: [allisa@borm.com](mailto:allisa@borm.com)  
FILE NO.: 12544  
CAD NO.: 8D40-AZ-NV  
DRAWN BY: KER  
ENGINEER: HI  
SCALE: 1/2" = 1'-0"  
SHT NO.: **8D4.0**



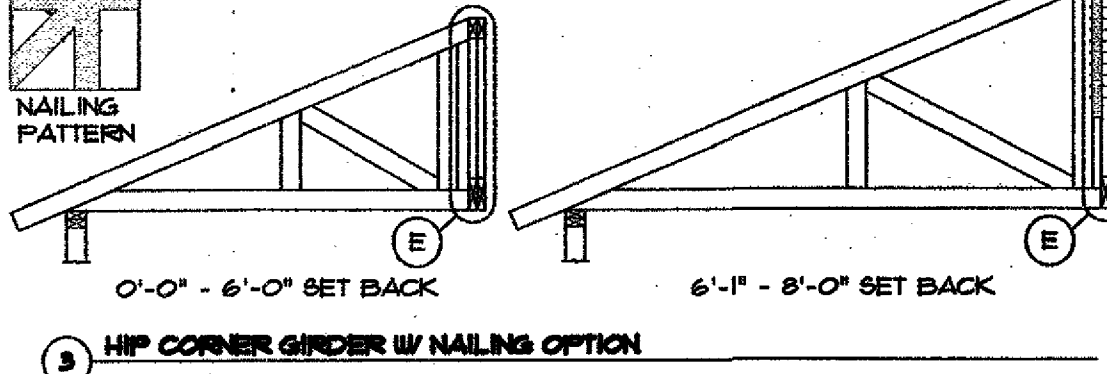
**STRAP DOWN** SCALE: 1/2" = 1'-0" 8D4.0



**1 HIP FRAMING PLAN VIEW**



**2 HIP FRAMING W/ TOE NAIL AND HANGER OPTION**

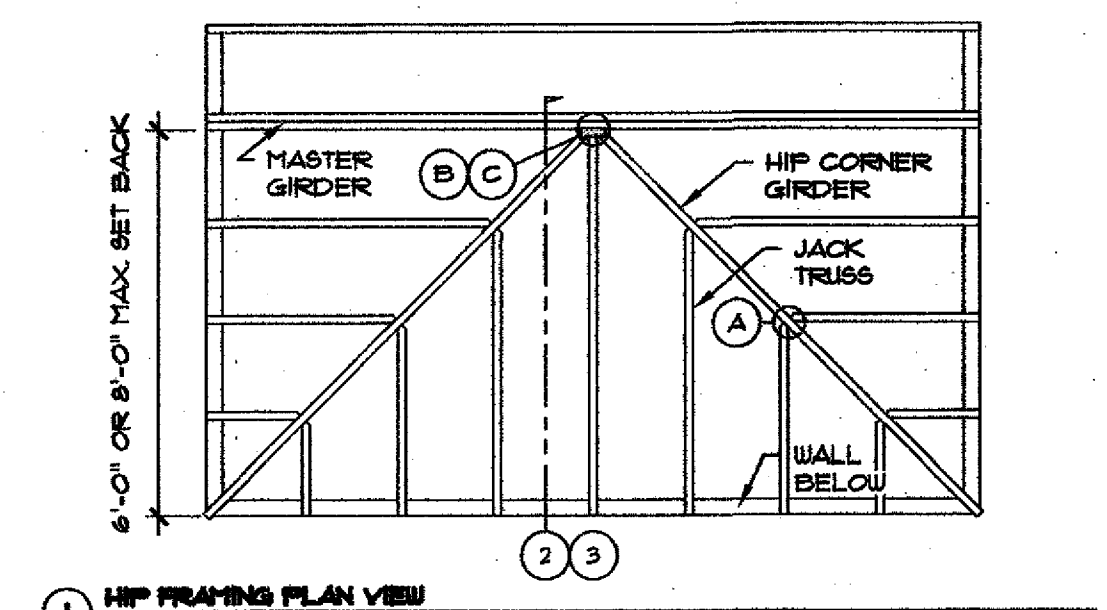


**3 HIP CORNER GIRDER W/ NAILING OPTION**

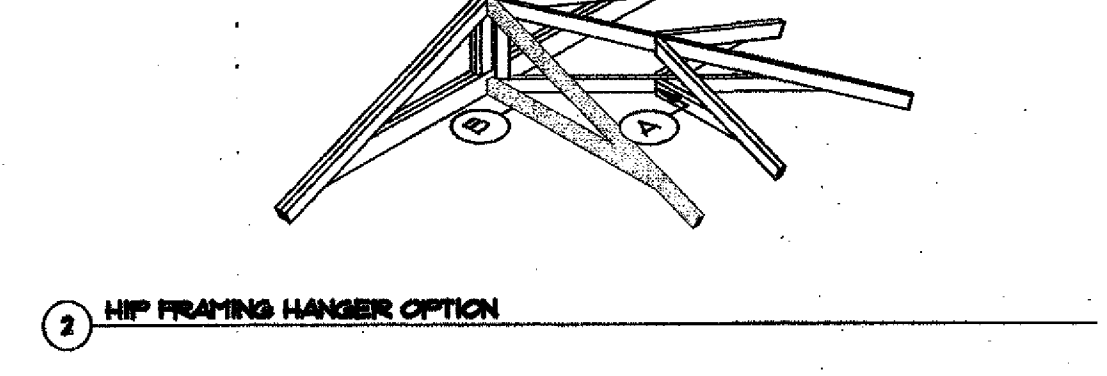
**CONNECTION SCHEDULE**

CONNECTION	MASTER GIRDER WITH CHORD CONDITION	6'-0" - 6'-0" SET BACK	6'-11" - 8'-0" SET BACK
(A)	N/A	(1) 1/4" NAILS AT TOP CHORD TO TOP CHORD (2) 1/4" NAILS AT BTH CHORD TO BTH CHORD	(1) 1/4" NAILS AT TOP CHORD TO TOP CHORD (2) 1/4" NAILS AT BTH CHORD TO BTH CHORD
(B)	SINGLE 2x6	SIMPSON LTHU OR TALLER BY 1/4" NAILS	SIMPSON LTHU OR TALLER BY 1/4" NAILS
(C)	DOUBLE 2x6	(1) 1/4" NAILS AT TOP CHORD TO TOP CHORD (2) 1/4" NAILS AT BTH CHORD TO BTH CHORD	(1) 1/4" NAILS AT TOP CHORD TO TOP CHORD (2) 1/4" NAILS AT BTH CHORD TO BTH CHORD
(D)	SINGLE OR DOUBLE 2x4 OR 2x6	(1) 1/4" NAILS AT TOP CHORD TO TOP CHORD (2) 1/4" NAILS AT BTH CHORD TO BTH CHORD	(1) 1/4" NAILS AT TOP CHORD TO TOP CHORD (2) 1/4" NAILS AT BTH CHORD TO BTH CHORD
(E)	N/A	PER PLAN	PER PLAN

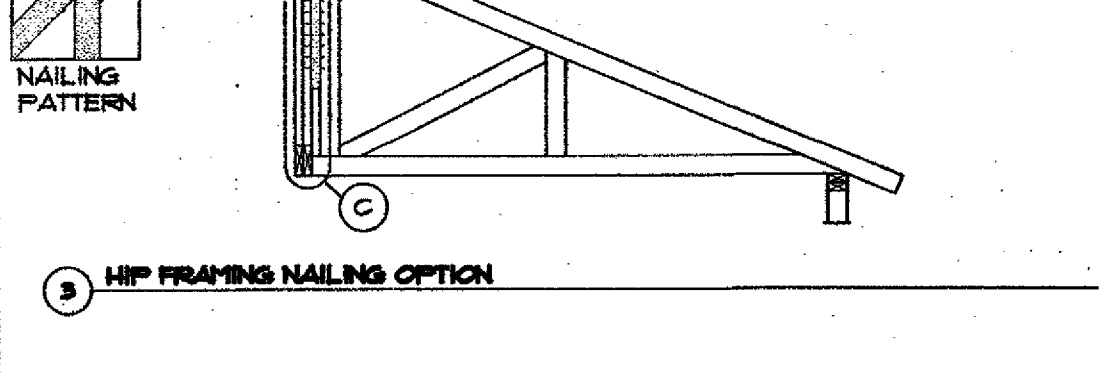
**JACK/GIRDER CONVENTIONAL HIP FRAMING** SCALE: 1/2" = 1'-0" 8D4.0



**1 HIP FRAMING PLAN VIEW**



**2 HIP FRAMING HANGER OPTION**

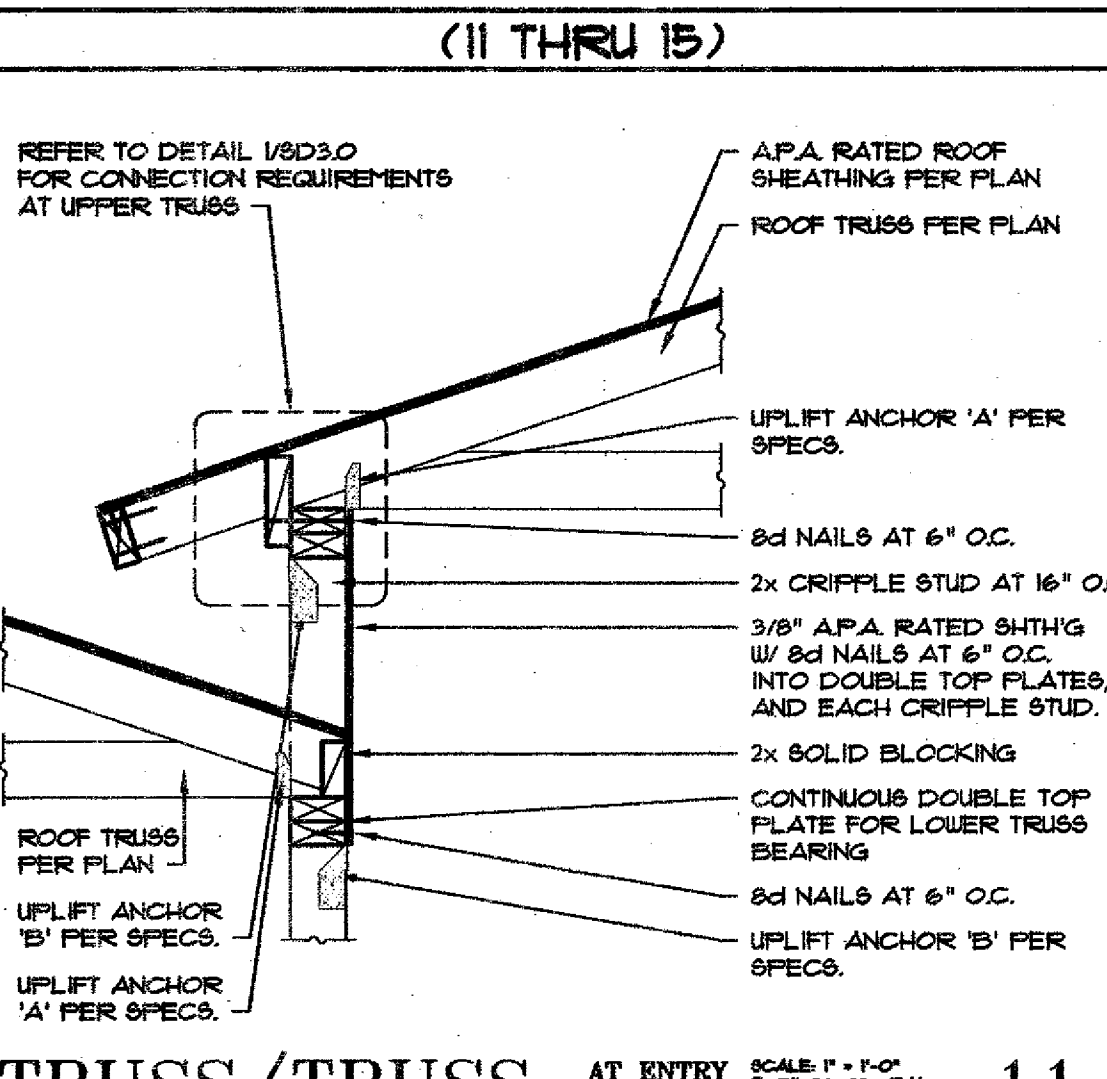


**3 HIP FRAMING NAILING OPTION**

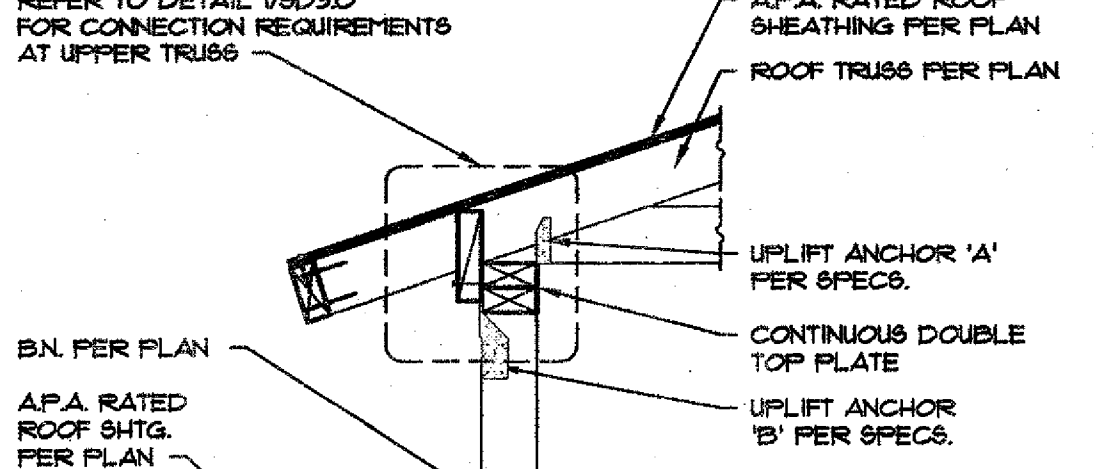
**CONNECTION SCHEDULE**

CONNECTION	MASTER GIRDER WITH CHORD CONDITION	6'-0" - 6'-0" SET BACK	6'-11" - 8'-0" SET BACK
(A)	N/A	(1) 1/4" NAILS AT TOP CHORD TO TOP CHORD (2) 1/4" NAILS AT BTH CHORD TO BTH CHORD	(1) 1/4" NAILS AT TOP CHORD TO TOP CHORD (2) 1/4" NAILS AT BTH CHORD TO BTH CHORD
(B)	SINGLE 2x6	SIMPSON TALLER BY 1/4" NAILS - SEND CENTER TAB DOWN FOR CENTER JACK	SIMPSON TALLER BY 1/4" NAILS - SEND CENTER TAB DOWN FOR CENTER JACK
(C)	DOUBLE 2x6	SIMPSON TALLER BY 1/4" NAILS - SEND CENTER TAB DOWN FOR CENTER JACK	SIMPSON TALLER BY 1/4" NAILS - SEND CENTER TAB DOWN FOR CENTER JACK

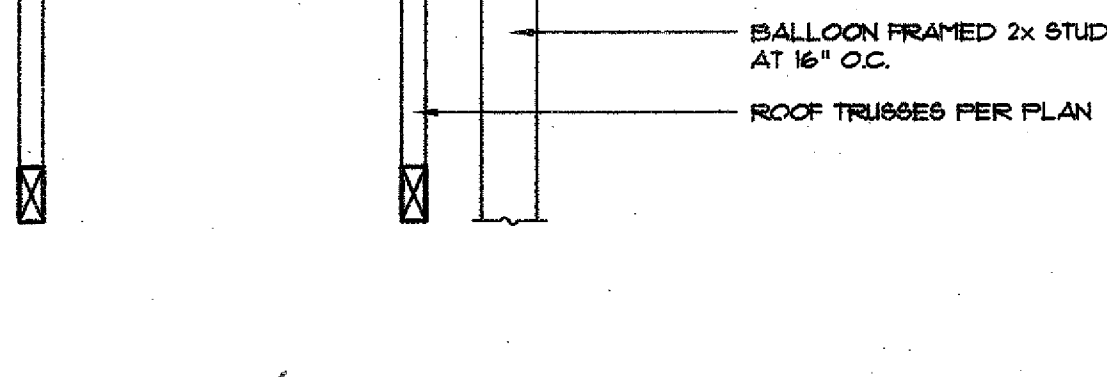
**JACK/GIRDER TERMINAL HIP FRAMING** SCALE: 1/2" = 1'-0" 8D4.0



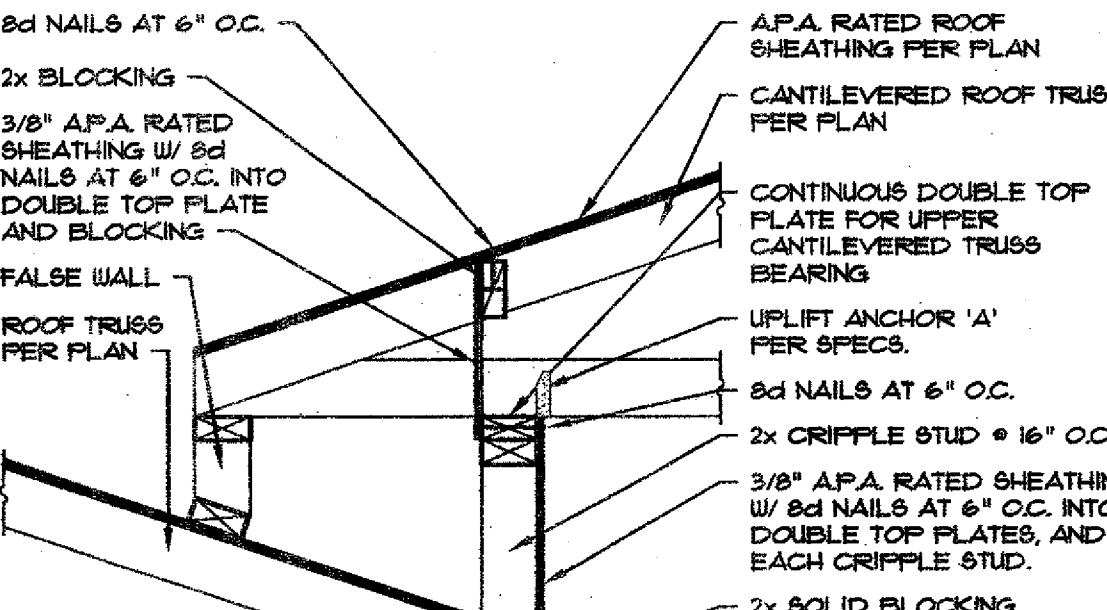
**TRUSS/TRUSS AT ENTRY PARALLEL** SCALE: 1/2" = 1'-0" 8D4.0



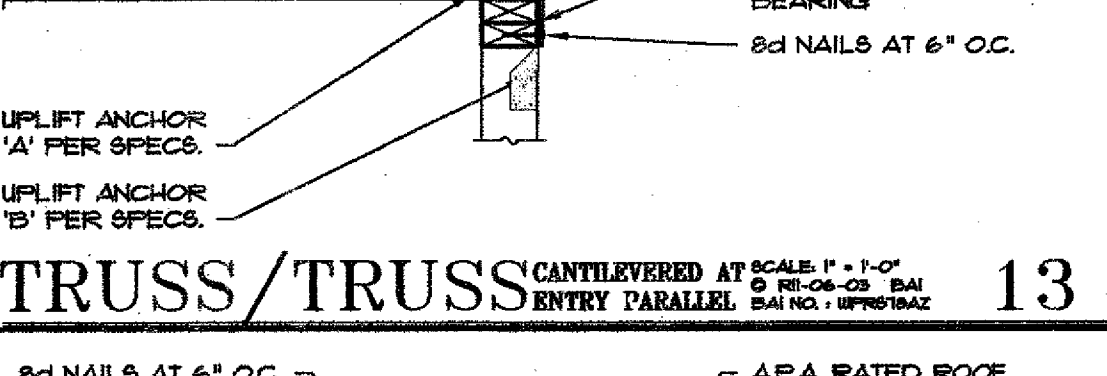
**TRUSS/TRUSS AT ENTRY PERP.** SCALE: 1/2" = 1'-0" 8D4.0



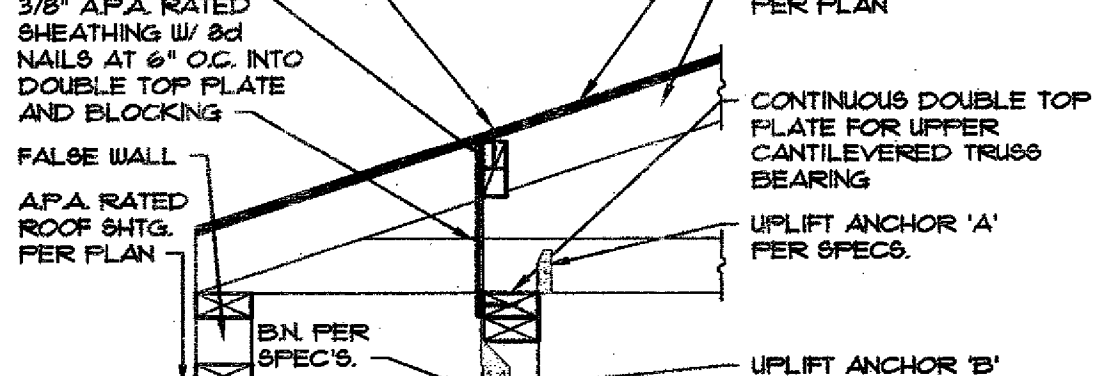
**TRUSS/TRUSS CANTILEVERED AT ENTRY PARALLEL** SCALE: 1/2" = 1'-0" 8D4.0



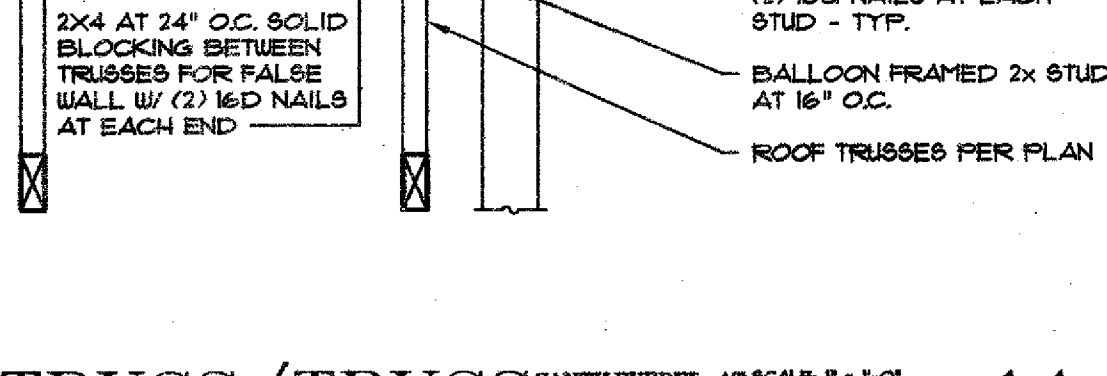
**TRUSS/TRUSS CANTILEVERED AT ENTRY PERPEND.** SCALE: 1/2" = 1'-0" 8D4.0



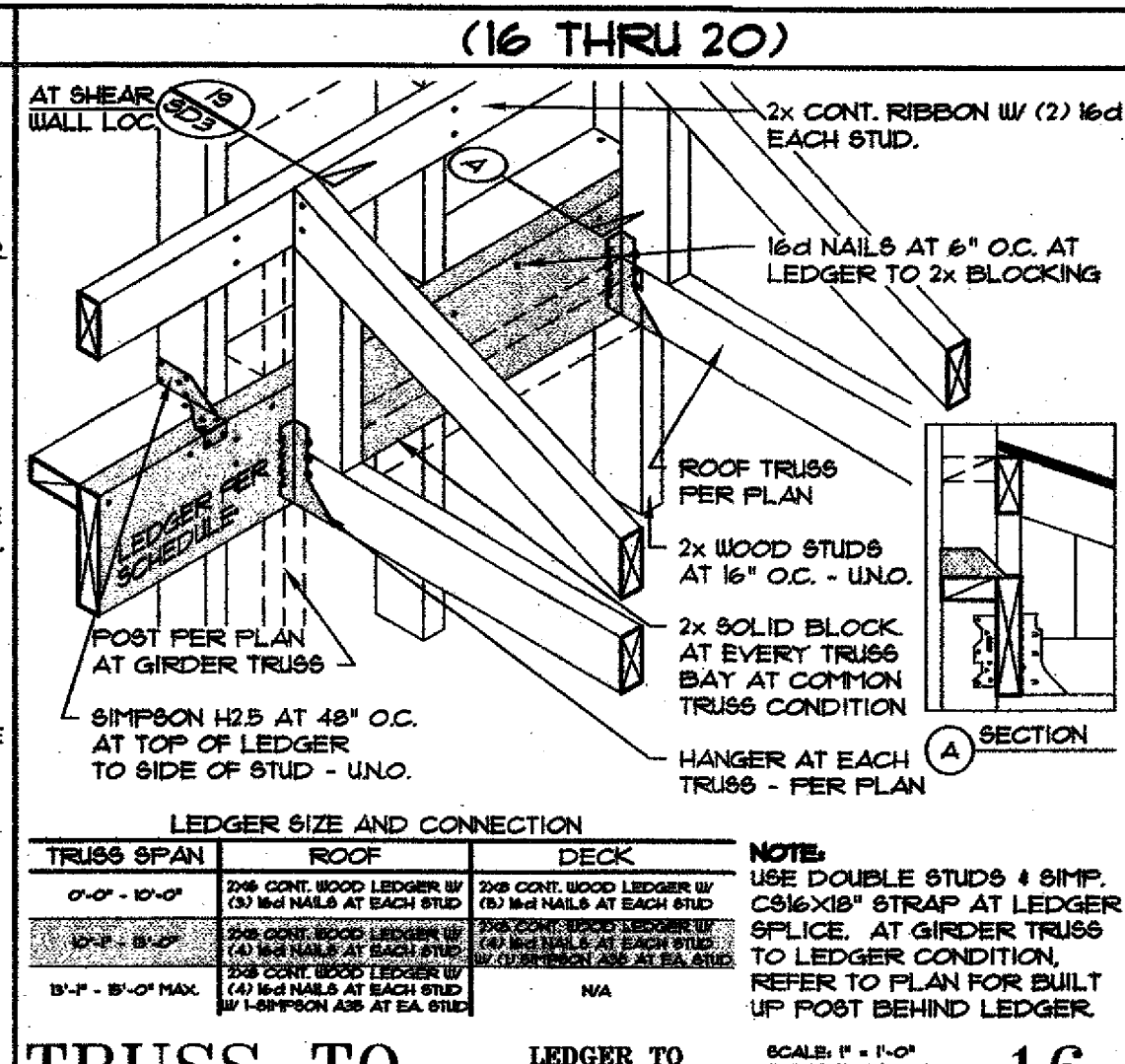
**TRUSS/TRUSS CANTILEVERED AT ENTRY PARALLEL** SCALE: 1/2" = 1'-0" 8D4.0



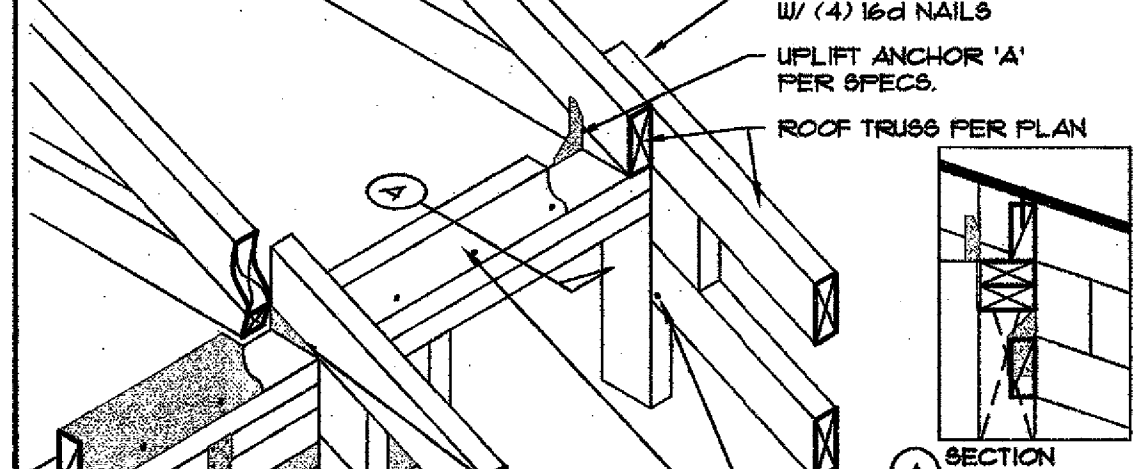
**TRUSS/TRUSS CANTILEVERED AT ENTRY PERPEND.** SCALE: 1/2" = 1'-0" 8D4.0



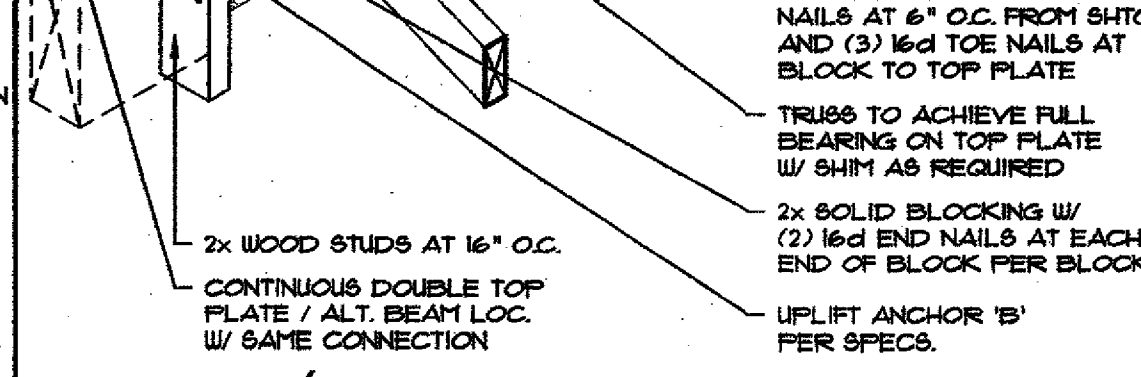
**JACK/GIRDER TERMINAL HIP FRAMING** SCALE: 1/2" = 1'-0" 8D4.0



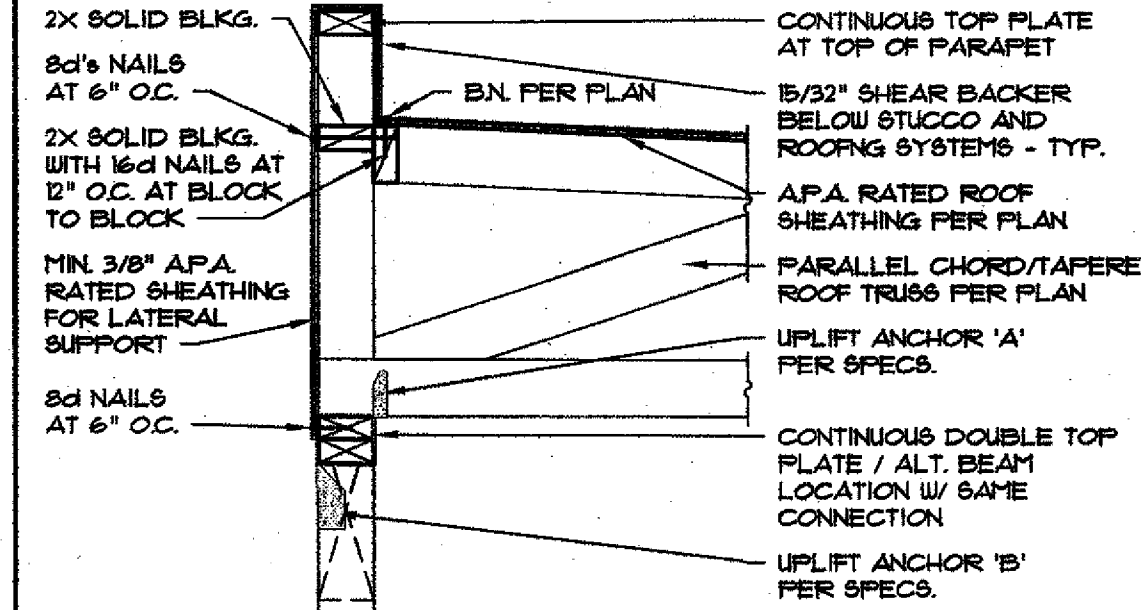
**TRUSS TO LEDGER TO WALL** SCALE: 1/2" = 1'-0" 8D4.0



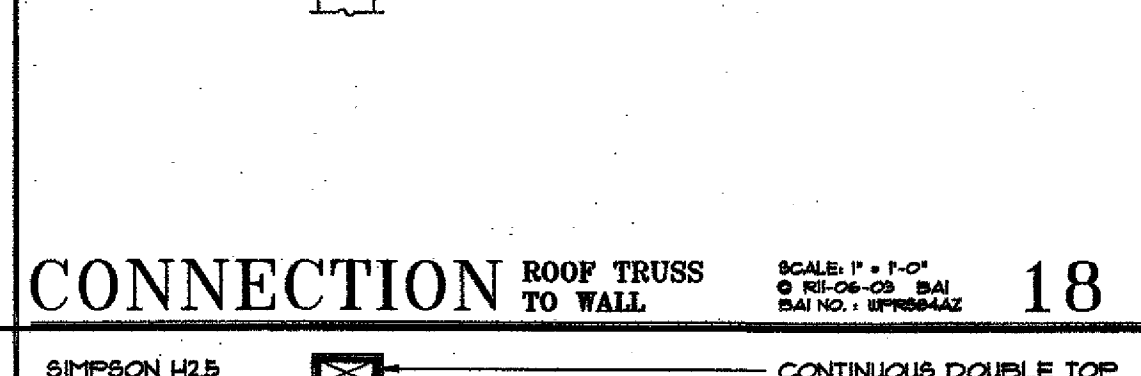
**TRUSS/TRUSS W/ PARALLEL CHORDS** SCALE: 1/2" = 1'-0" 8D4.0



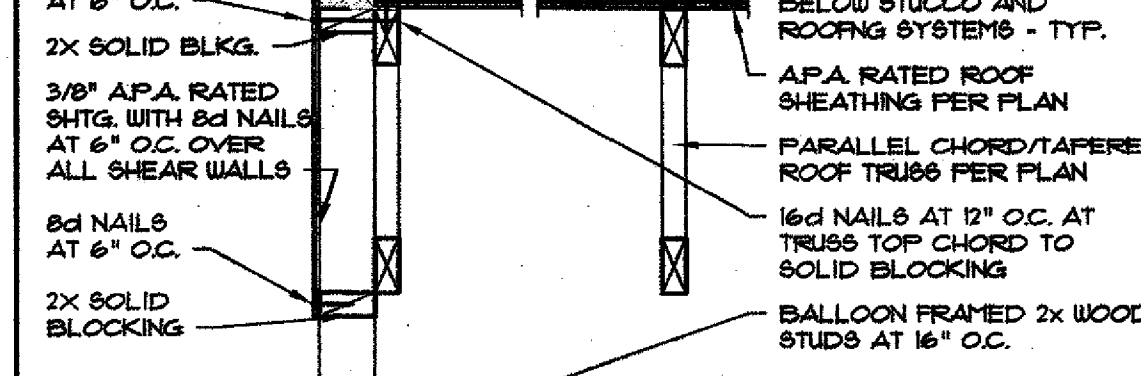
**CONNECTION ROOF TRUSS TO WALL** SCALE: 1/2" = 1'-0" 8D4.0



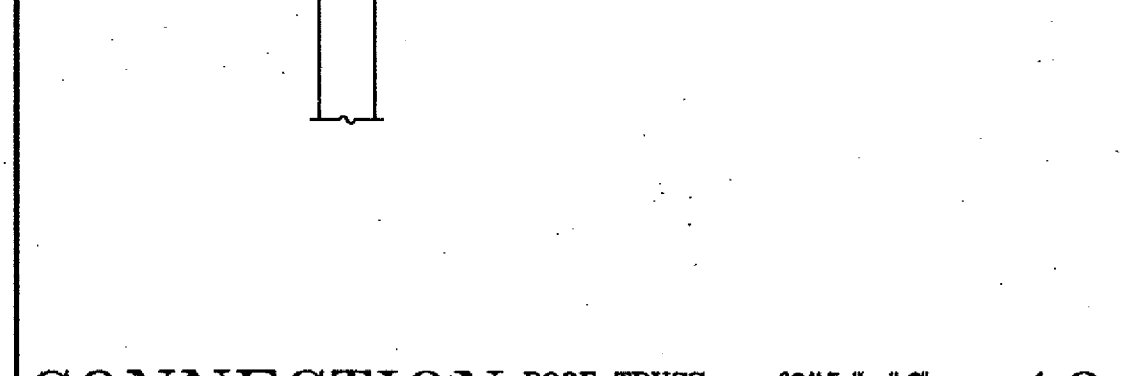
**CONNECTION ROOF TRUSS TO WALL** SCALE: 1/2" = 1'-0" 8D4.0



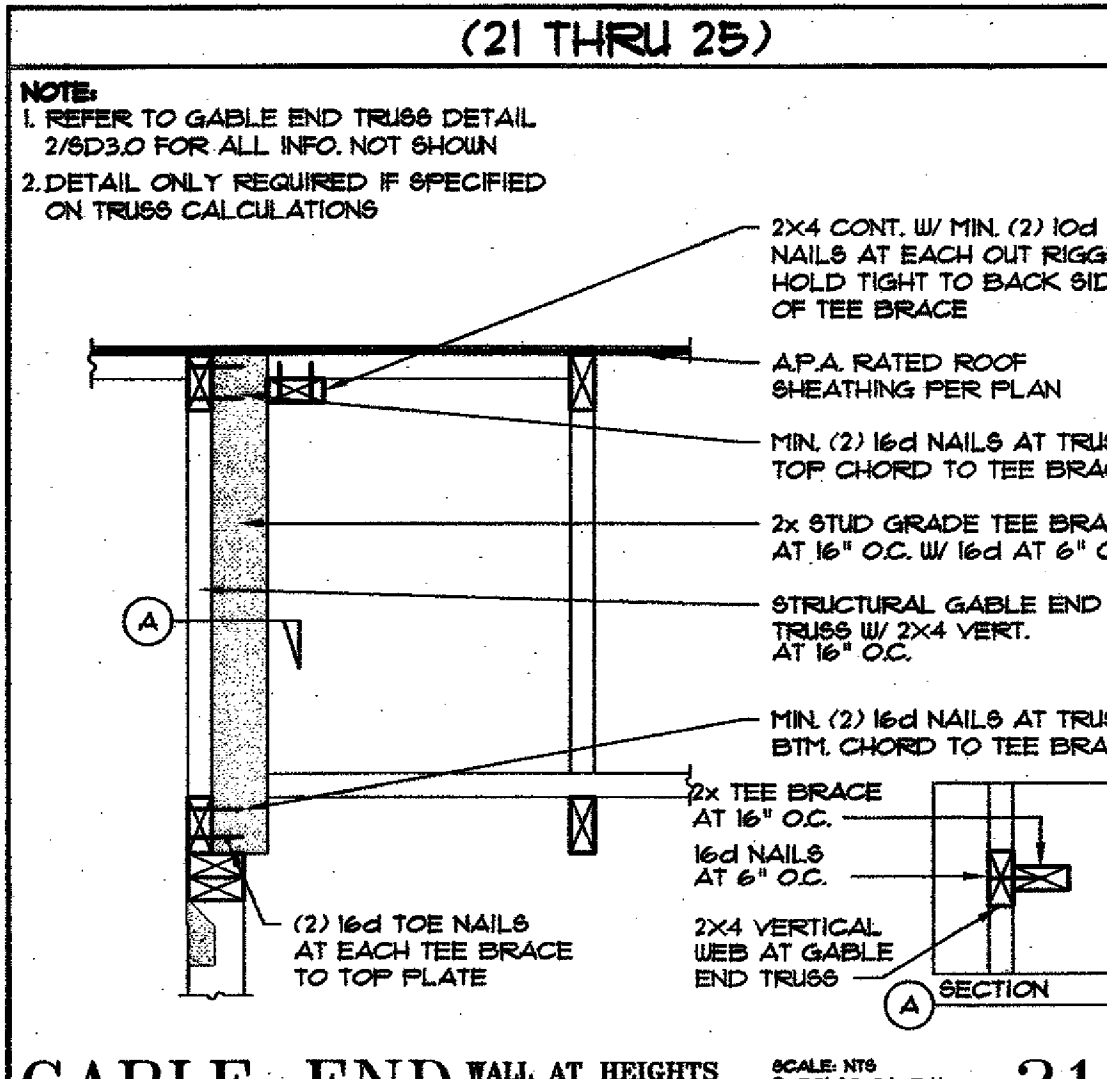
**CONNECTION ROOF TRUSS TO WALL** SCALE: 1/2" = 1'-0" 8D4.0



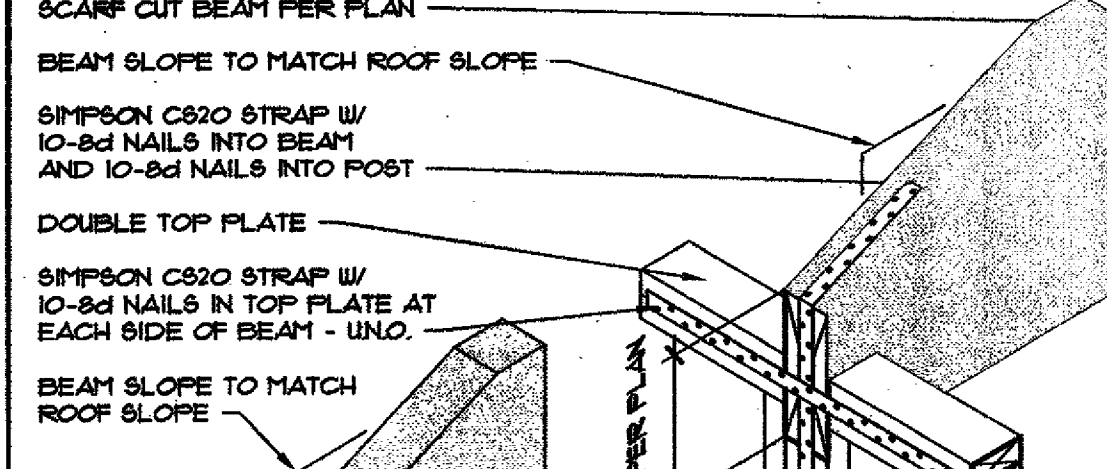
**CONNECTION ROOF TRUSS TO WALL** SCALE: 1/2" = 1'-0" 8D4.0



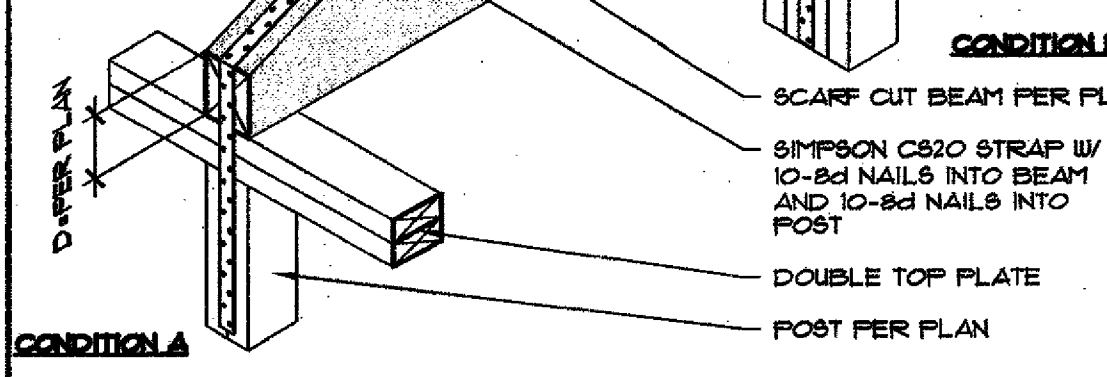
**CONNECTION ROOF TRUSS TO WALL** SCALE: 1/2" = 1'-0" 8D4.0



**GABLE END WALL AT HEIGHTS GREATER THAN 5'-5"** SCALE: 1/2" = 1'-0" 8D4.0



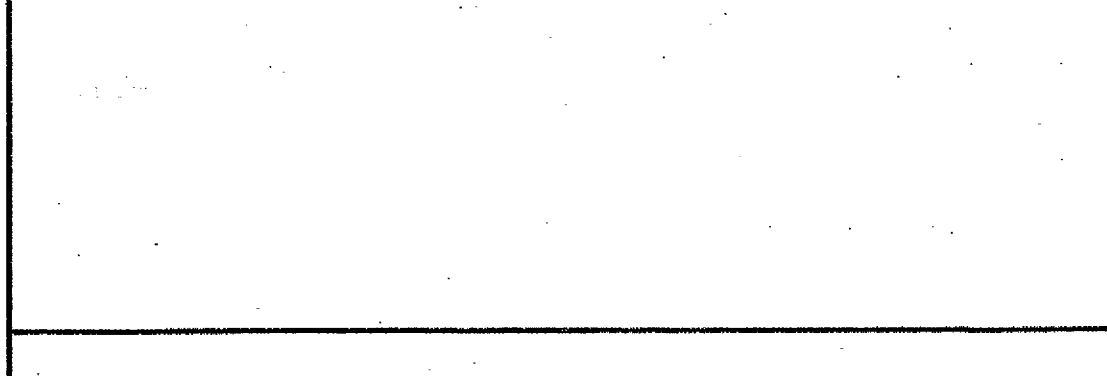
**SCARF CUT BEAM TO POST** SCALE: 1/2" = 1'-0" 8D4.0



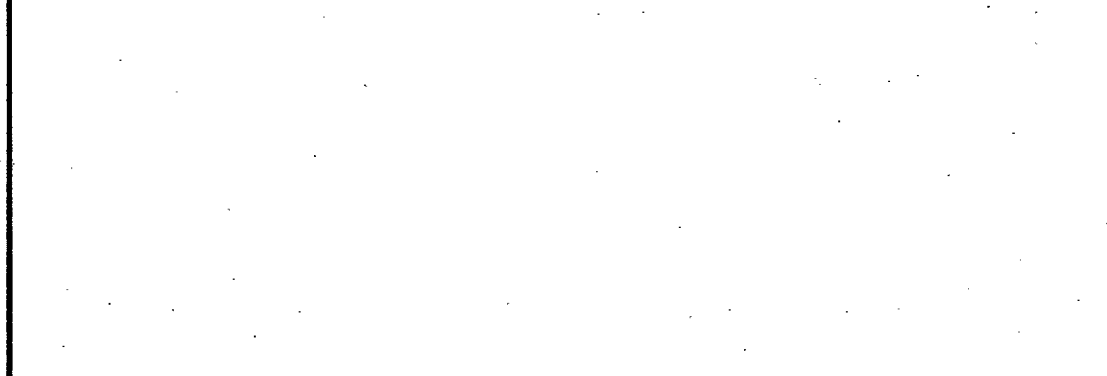
**CONNECTION ROOF TRUSS TO WALL** SCALE: 1/2" = 1'-0" 8D4.0



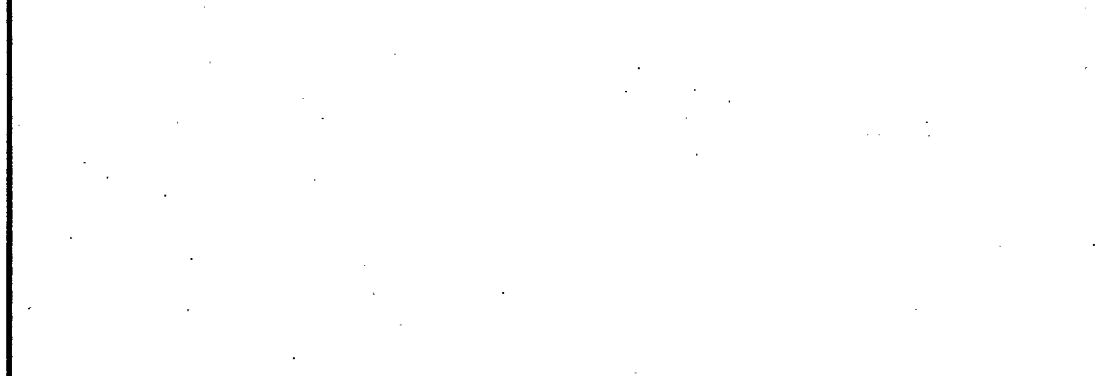
**CONNECTION ROOF TRUSS TO WALL** SCALE: 1/2" = 1'-0" 8D4.0



**CONNECTION ROOF TRUSS TO WALL** SCALE: 1/2" = 1'-0" 8D4.0



**CONNECTION ROOF TRUSS TO WALL** SCALE: 1/2" = 1'-0" 8D4.0



**CONNECTION ROOF TRUSS TO WALL** SCALE: 1/2" = 1'-0" 8D4.0

(21 THRU 25)

(16 THRU 20)

(11 THRU 15)

(6 THRU 10)

(1 THRU 5)